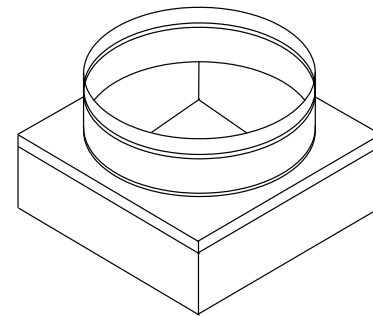
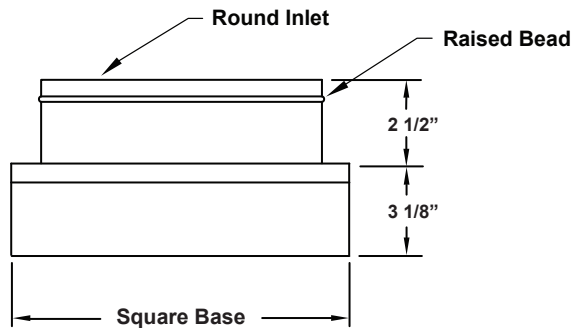


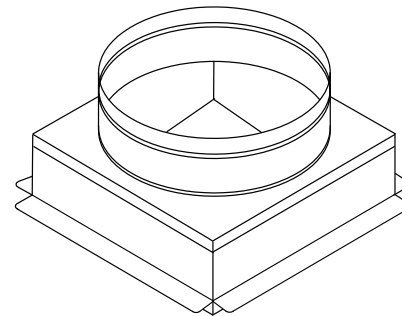
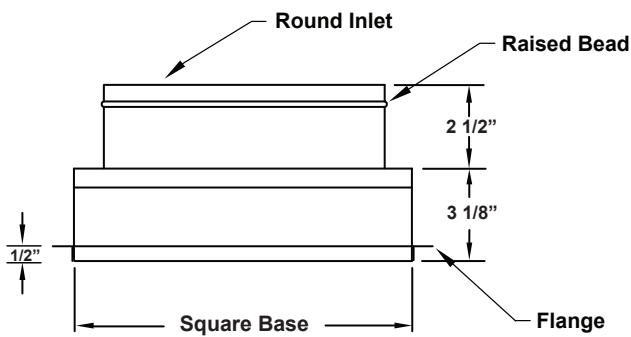
## Square & Round Neck Adapter Galvannealed Steel

**Model STR – Square to Round**



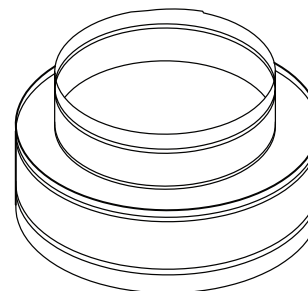
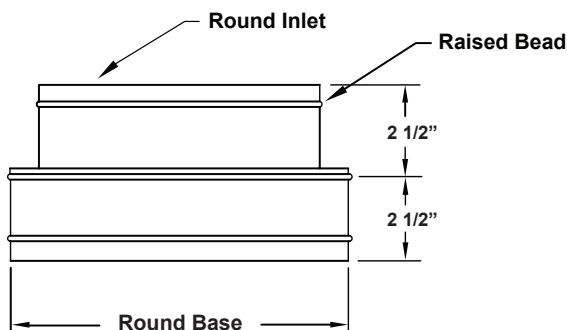
**Model STR**

**Model STRF – Ceiling Box**



**Model STRF**

**Model RTR – Round to Round**



**Model RTR**

### Features:

- 24 gauge galvannealed steel construction
- 2.5 inch collar with raised bead
- Interior painted flat black

### Dimensions

Vertical dimensions are plus or minus 1/4" and horizontal dimensions are plus or minus 1/16"