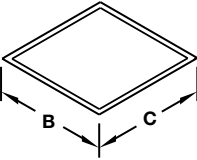


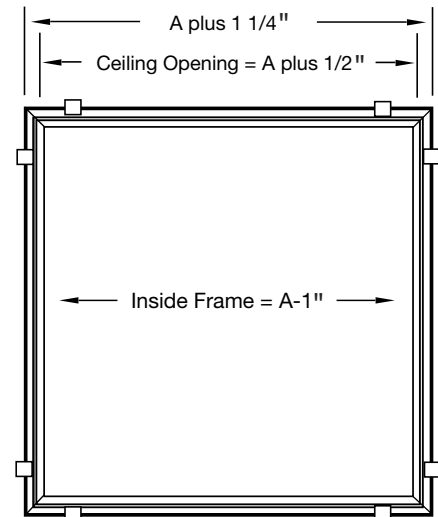
Hard Lid Frame Extruded Aluminum

Model: HLFA

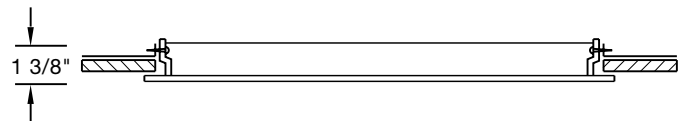
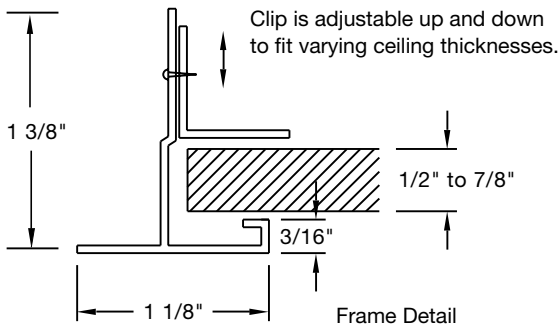


Ceiling Module	Suggested Ceiling Opening	
A	B	C
12 x 12 *	12 1/2	12 1/2
16 x 16	16 1/2	16 1/2
20 x 20	20 1/2	20 1/2
24 x 12 *	24 1/2	12 1/2
24 x 24 *	24 1/2	24 1/2
36 x 24	36 1/2	24 1/2
48 x 12	48 1/2	12 1/2
48 x 24 *	48 1/2	24 1/2
60 x 12	60 1/2	12 1/2

* These sizes normally available from stock.
 All dimensions are in inches.



A = Width of ceiling module



Features:

- All aluminum construction including the mounting clips. Screws are stainless steel
- Suitable for installation in MRI rooms
- One clip set provided for each 12" of frame width (for example, a 24x24 frame will include eight clip sets)
- Standard stock sizes are 12x12, 24x12 and 24x24. Other sizes listed are built to order. Custom sizes also available
- Mechanically fastened mitered corners
- White powder coated epoxy finish

Hard Lid Frame

The HLF Frame allows T-bar, lay-in type diffusers and returns to be installed in surface mount applications

The HLF frame is installed in the ceiling opening and secured in place using clips. Screws are mounting flush in frame mounting holes. Multiple hole locations are provided for ease of installation

The HLF can be used to allow access to service utilities above the ceiling by raising the diffuser and flexible duct to gain access to the ceiling space