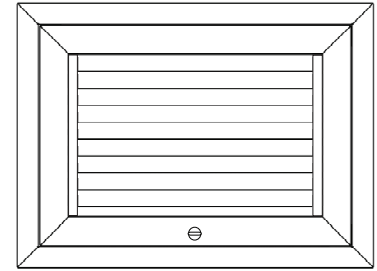
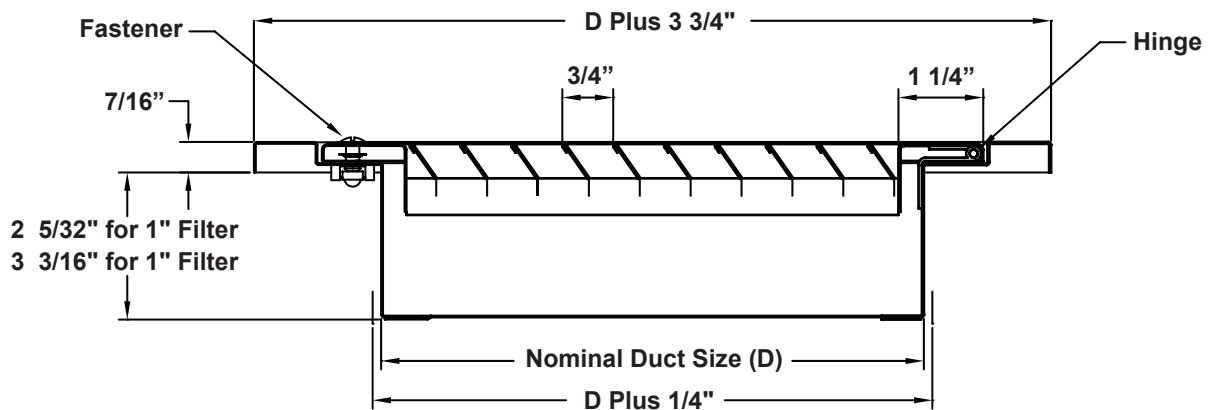


Fixed Bar Filter Grille Horizontal Blades

Model: FBHF • Steel or Aluminum



- Type 1A (Surface Mount, Aluminum)
- Type 1S (Surface Mount, Steel)
- Type 3A (Lay-In, Aluminum)
- Type 3S (Lay-In, Steel)

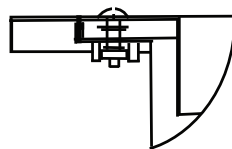


Features:

- Filter grille
- Top hinge with quarter turn fastener
- Accomodates 1" filters (by others)
- 35° fixed blades on 3/4" centers
- 20" x 20" and 44" x 20" fits T-bar
- 2" filter rack available upon request
- White powder coated finish

Fastening Style

Quarter-turn fastener-standard



Available Duct Sizes (D" x D")

10" x 8" to 48" x 36"
(in 2" increments)

Dimensions

All dimensions are plus or minus 1/16"