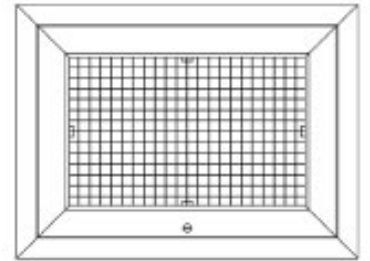


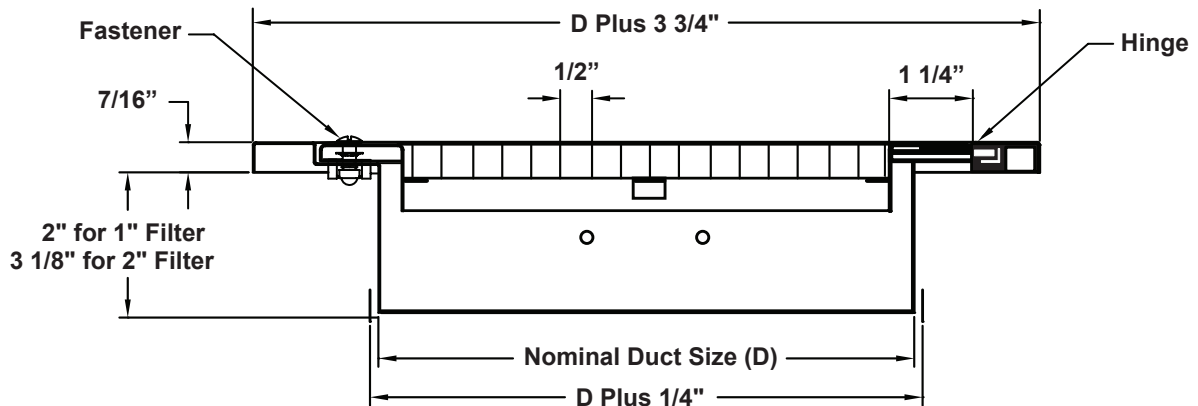
Egg Crate Filter Return Grill Aluminum Grid • Aluminum Border

Model: ECF1 • 1/2" x 1/2" x 1/2" Core



Type 1A (Surface Mount, Aluminum)

Type 3A (Lay-In, Aluminum)

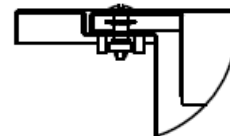


Features:

- 1/2" x 1/2" x 1/2" Core
- 90% free area
- Types 1A and 3A are MRI compatible
- White powder coated epoxy finish
- 20" x 8", 20" x 20" and 44" x 20" fits T-bar
- 2" filter rack available upon request

Fastening Style

Quarter-turn fastener-standard



Dimensions

All dimensions are plus or minus 1/16"