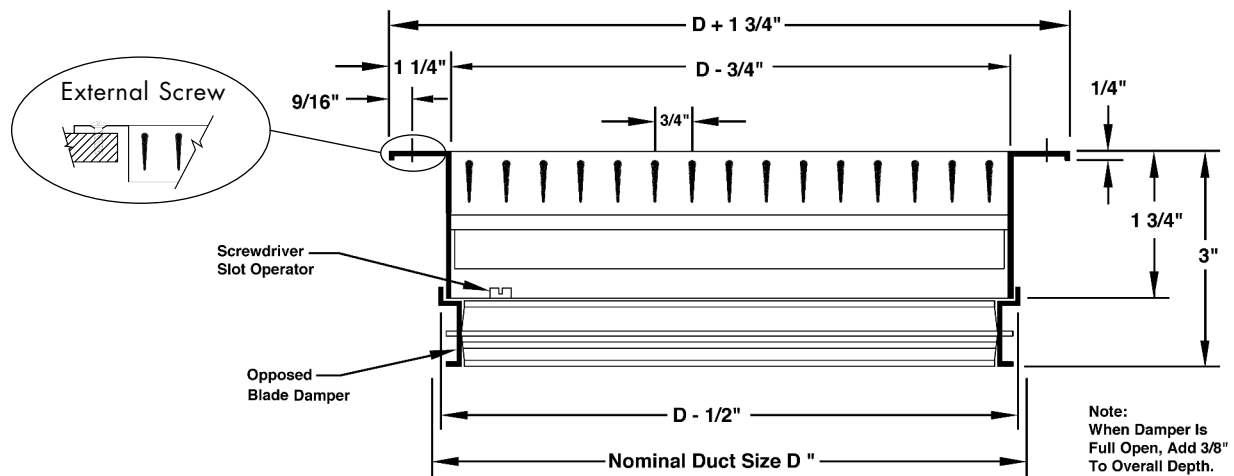
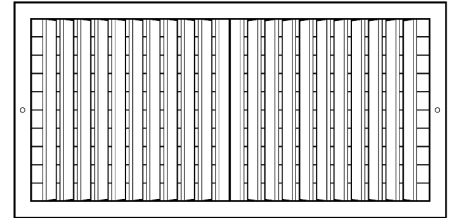


## Double Deflection Supply Register

### Adjustable Blades with OBDB

Model: DDVA • 3/4" Blade Spacing



#### Features:

- Classic double deflection supply register
- Vertical front and horizontal rear blades on 3/4" centers
- Front and rear blades individually adjustable for desired airflow direction
- Standard opposed blade damper with screwdriver adjustment through face of register
- Frame and blades constructed of aluminum with white powder coated epoxy finish
- Opposed blade damper constructed of steel and painted black

#### Available Duct Sizes (D" x D")

6" x 4" through 36" x 30"  
in 2" increments  
(as listed in price pages)

#### Dimensions

All dimensions are plus or minus 1/16"