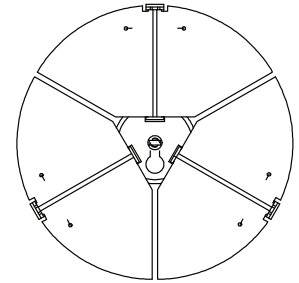
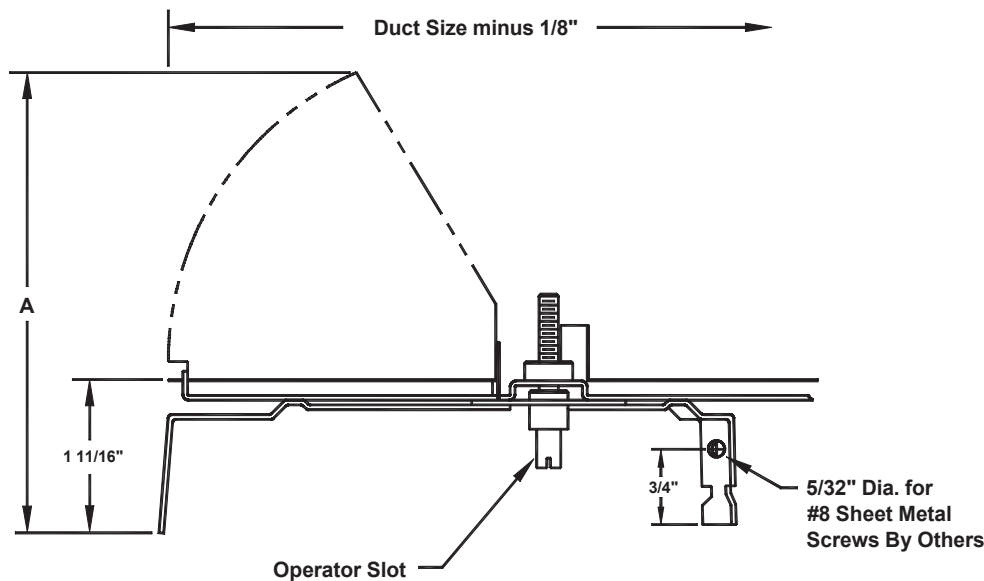


Air Balancing Device Opposed Blade Damper • Radial Neck Mounted

Model: BBD2



Diameter 6" - 12"



Duct Size	A
6	4
7	4 ⁷ / ₁₆
8	4 ⁷ / ₈
10	5 ³ / ₄
12	6 ¹ / ₂

Features:

- Steel Construction-Galvanized
- Three sets of gang operated blades for even distribution of air over the diffuser face
- Adjusted by screwdriver at the operator slot
- Especially useful in flex duct, or where height is limited
- Neck mounted
- Available sizes 6" to 12"