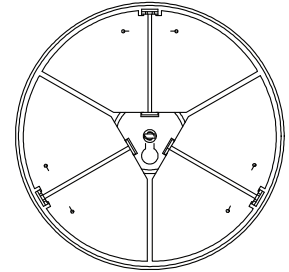
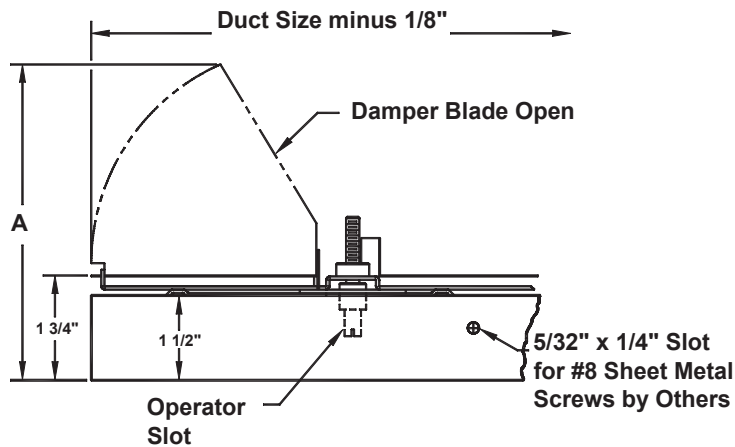


Air Balancing Device Opposed Blade Damper • Radial Duct Mounted

Model: BBD1

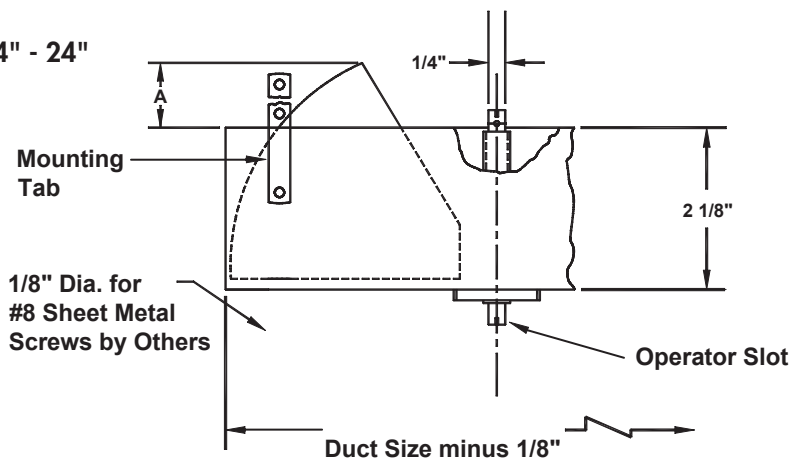


Diameter 6" - 12"



Duct Size	A
6	4 ¹ / ₈
7	4 ¹ / ₂
8	5
10	5 ⁷ / ₈
12	6 ³ / ₄

Diameter 14" - 24"



Duct Size	A
14	3
15	3 ¹ / ₄
16	3 ⁵ / ₈
18	4 ³ / ₈
20	5
24	3 ⁷ / ₈

Features:

- Steel Construction-Galvanized
- Gang operated blades (3 sets on sizes 6" - 12", 4 sets on sizes 14" - 20", 6 sets on sizes 24" - 36") distribute air evenly through the diffuser or duct. Not recommended for flexible duct applications
- Adjusted by screwdriver at the operator slot
- Shipped loose for field installation
- Duct mounted
- Available sizes 6" to 36"