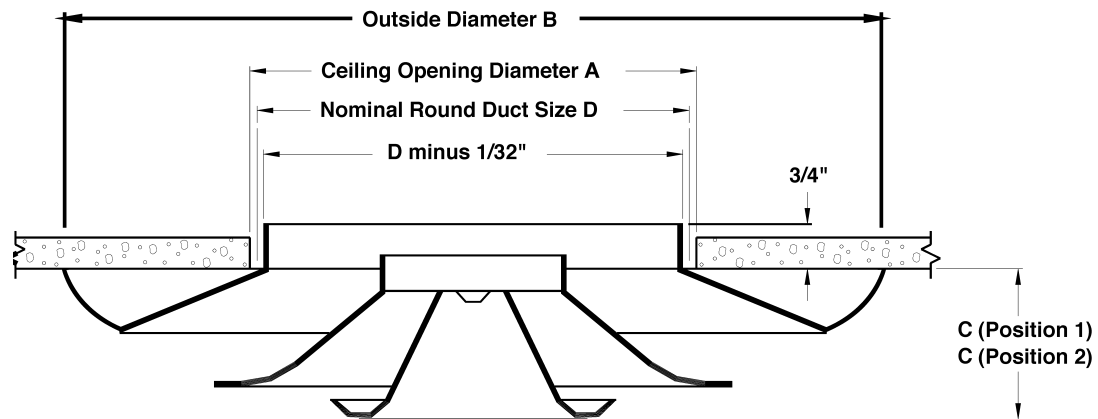
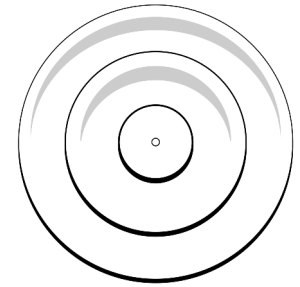
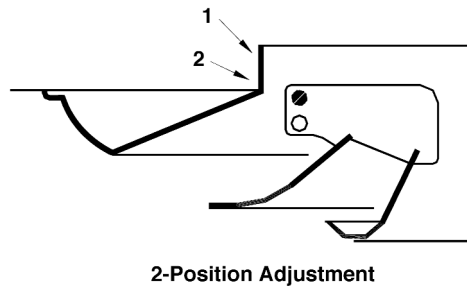


Round Ceiling Diffuser Spun Steel • 2 Position

Model: AR2 • Supply • Two Horizontal Discharge Patterns



All dimensions are plus or minus 1/16"



2-Position Adjustment

Nominal Round Duct Size D	A	B	C (Pos.1)	C (Pos.2)
6	6 1/2	11 1/8	1 3/4	1 1/8
8	8 1/2	14 3/4	2 1/8	1 1/2
10	10 1/2	18 1/4	2 7/8	2 1/8
12	12 1/2	22	3 1/8	2 3/8
14	14 1/2	26	3 3/8	2 5/8
16	16 1/2	29	4	3 1/4
18	18 1/2	32 1/2	4 3/4	3 7/8
20	20 1/2	36	5 7/8	4 7/8
24	24 1/2	43 1/4	7 3/4	6 5/8

Features:

- Uniform 360 degree discharge pattern
- 2-Position adjustment for heating and cooling seasons
- To adjust the diffuser, remove the two center cones as a unit and reposition the six screws
- Retainer cables are provided on sizes 12 and larger to allow the inner cones to hang while adjusting the diffuser
- White powder coated epoxy finish

Available Duct Sizes (D)

Round: 6" to 20" in 2" increments and 24"

Options:

- BBD1 Butterfly Blade Damper
- BBD2 Butterfly Blade Damper, low profile
- SBD Sliding Blade Damper, low profile