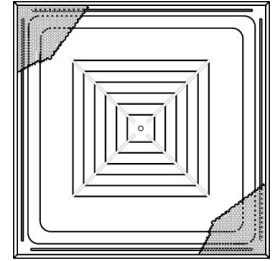
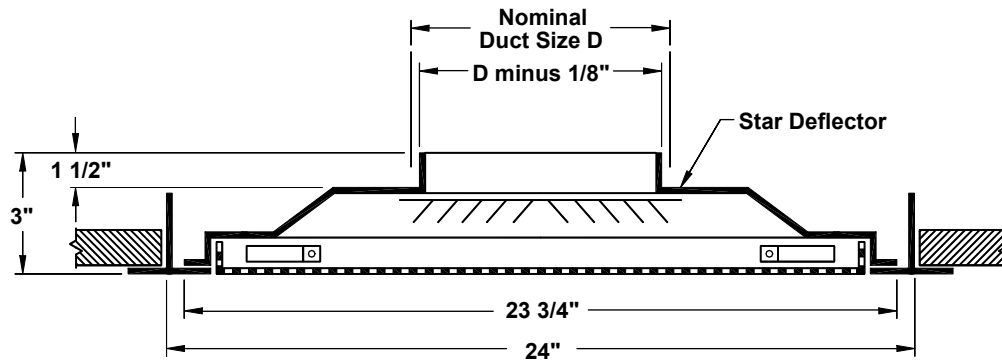


Perforated Ceiling Diffuser Steel • Rotatable Core

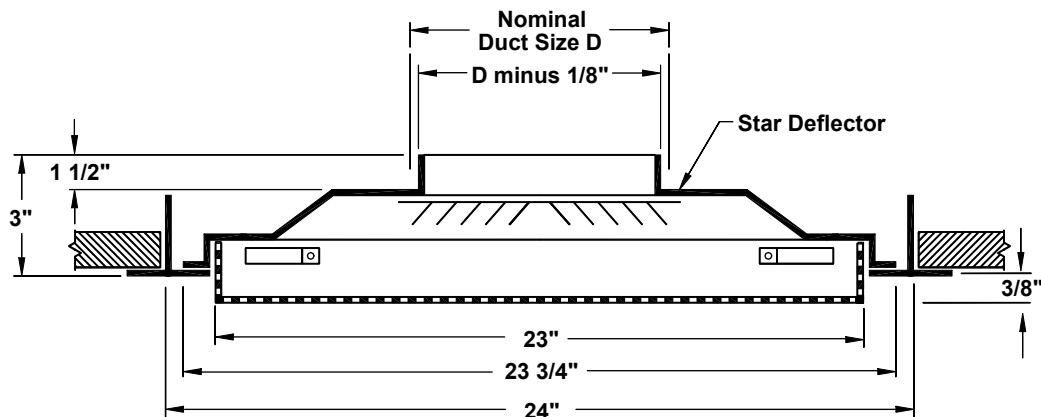
Model: APS • Supply • Clover Pattern



Type 3F (Flush, Lay-In)



Type 3D (Drop Face/Tegular)



Features:

- Round or square neck
- Discharge pattern is adjusted by dropping the perforated face and rotating the core
- 24" x 24" square lay-in ceiling module with removable screen
- Perforated face has industry standard $\frac{3}{16}$ " holes on $\frac{1}{4}$ " staggered centers
- Powder coated finish; white perf on white or black backpan

Available Duct Sizes (D)

Types 3F & 3D:

Round: 6" x 18"

Square: 6" x 6" to 18" x 18"
(in 2" increments)

Note: Large duct sizes use low profile back pan (not shown)

Vertical dimensions are plus or minus $\frac{1}{4}$ " and horizontal dimensions are plus or minus $\frac{1}{16}$ "