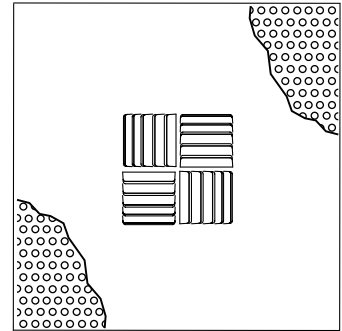


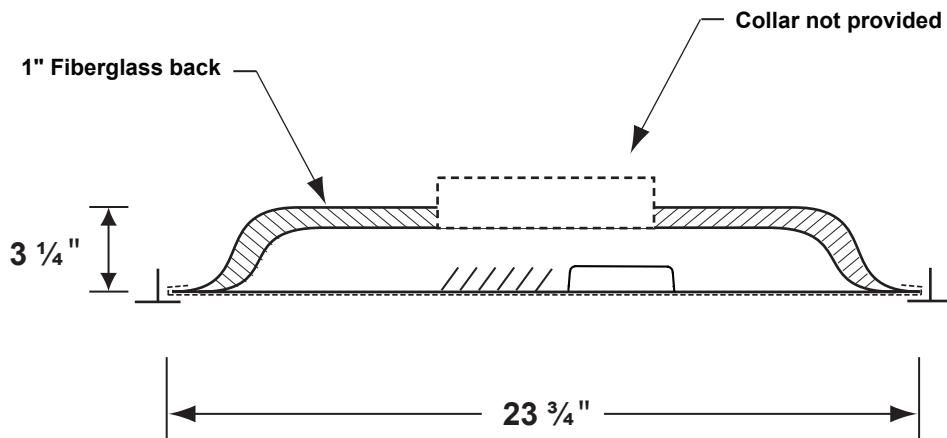
Perforated Molded Diffuser

Supply • Return

Model: APDB



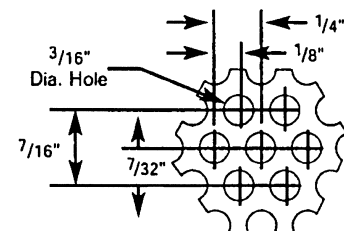
- Type S** (Supply, 4-way deflectors)
- Type R** (Return)
- Type U** (Universal, disc)



Features:

- Fits standard 2' x 2' T-bar ceilings
- Fiberglass pre-scored for 6", 8", 10", 12" and 14" start collars
- Adjustable stamped face deflectors (supply only)
- Molded fiberglass 1" thickness
- Foil vapor barrier minimizes condensation
- Perforated screen white powder coated epoxy finish

Perf Detail



Dimensions

All dimensions are plus or minus 1/16"