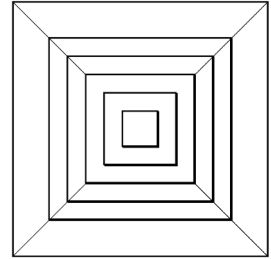
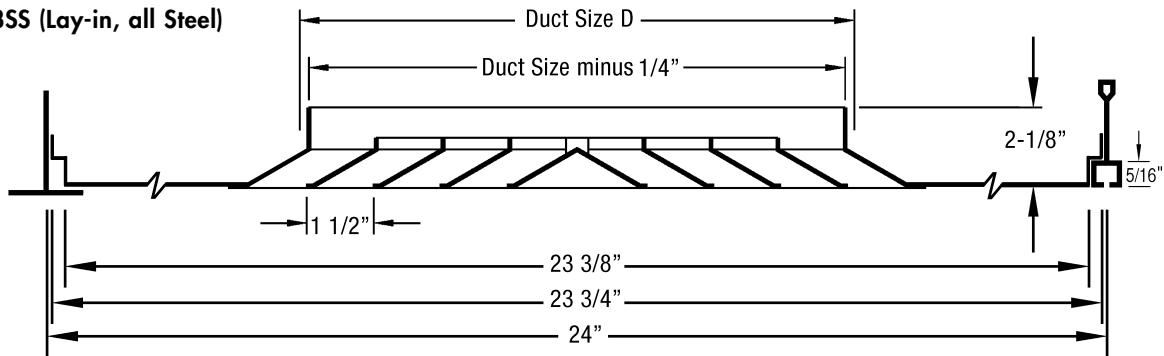


## Louvered Face Ceiling Diffuser Square Neck • Removable Core

Model: AL • Steel or Aluminum

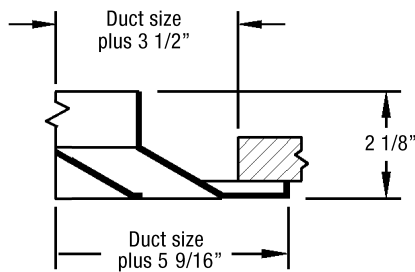


- Type 3AS (Lay-in, Aluminum core with Steel panel)
- Type 3AA (Lay-in, all Aluminum)
- Type 3SS (Lay-in, all Steel)

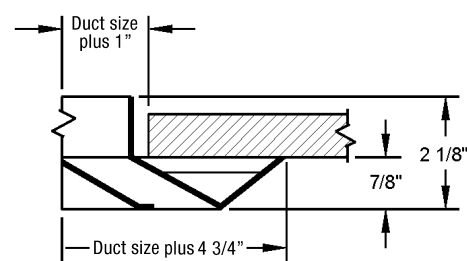


Universal Frame design fits Standard and Narrow-Tee Grids

- Type 1A (Surface Mount, Flat Frame, Aluminum)
- Type 1S (Surface Mount, Flat Frame, Steel)



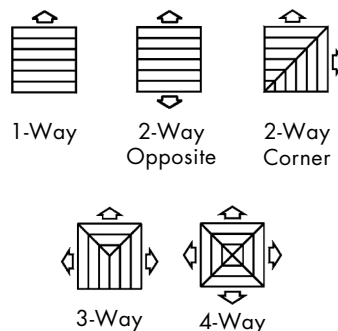
- Type 6A (Surface Mount, Beveled Frame, Aluminum)
- Type 6S (Surface Mount, Beveled Frame, Steel)



### Features:

- Classic louvered face design
- Core is removable from diffuser face
- Directional high capacity diffuser maintains horizontal blow pattern
- Excellent for variable volume applications
- Types 1A, 3AA and 6A are MRI compatible
- White powder coated epoxy finish

### Available Blow Patterns



### Available Duct Sizes (D)

#### Type 3:

6" x 6" to 21" x 21"  
(in 3" increments)

#### Type 1 & 6:

6" x 6" to 24" x 24"  
(in 3" increments)

### Dimensions

All dimensions are plus or minus 1/16"

### Options:

- OBDL** Steel opposed blade damper, lever operated, flat black finish
- STR** Galvanized steel square-to-round neck adapter with flat black interior