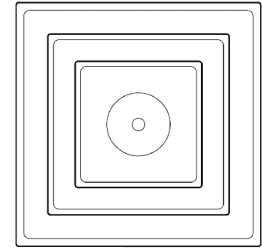


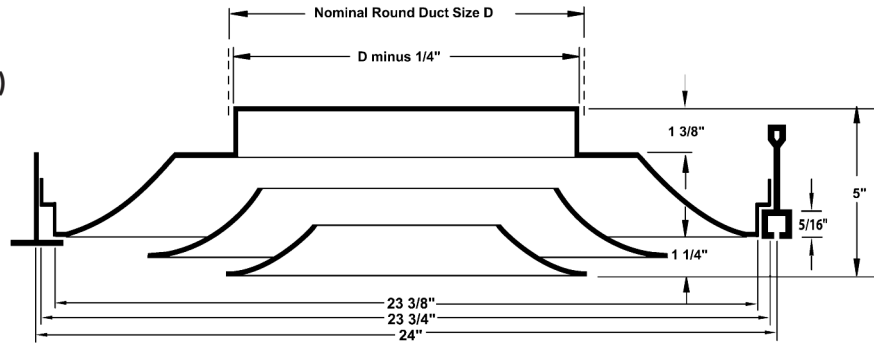
Square Cone Diffuser Steel • High Performance

Model: AC • Supply • 360° Discharge Pattern



Lay-in, 24" x 24" Module

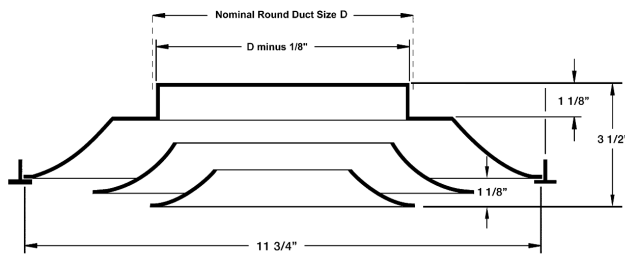
- Type 3S (Steel)
 Type 3A (Aluminum)



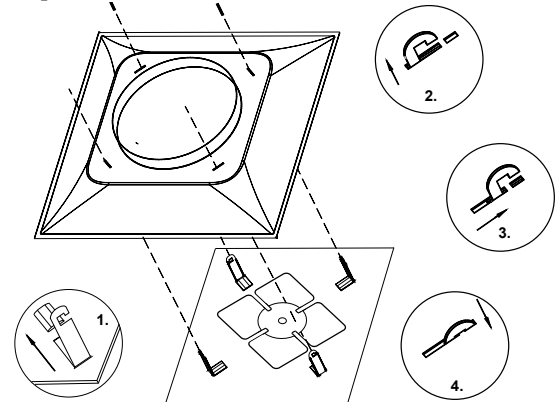
Universal Frame design fits Standard and Narrow-Tee Grids

Lay-in, 12" x 12" Module

- Type 3S (Steel)
 Type 3A (Aluminum)



Assembly & Access



Features:

- Integral round neck design
- High volume 360° air discharge pattern
- Attractive contoured cone design with smooth, clean surfaces
- Cones are one piece, die-stamped with no corner joints
- Excellent for variable air volume applications
- Maintains effective space distribution even at minimum air volume
- Three concentric cones provide uniformity of appearance in all sizes
- White powder coated epoxy finish

Access & Adjustment



1. Remove plastic center cap to gain access to optional damper.
2. Insert screwdriver through access port to adjust optional damper.

Dimensions

Vertical dimensions are $\pm 1/4$ "
Horizontal dimensions are $\pm 1/16$ "

Available Round Duct Sizes (D)

12 x 12 Module: 6", 8"
24 x 24 Module: 6", 8", 10", 12", 14", 15"

Options:

- BBD1 Butterfly Blade Damper
 BBD2 Butterfly Blade Damper, low profile
 SBD Sliding Blade Damper, low profile