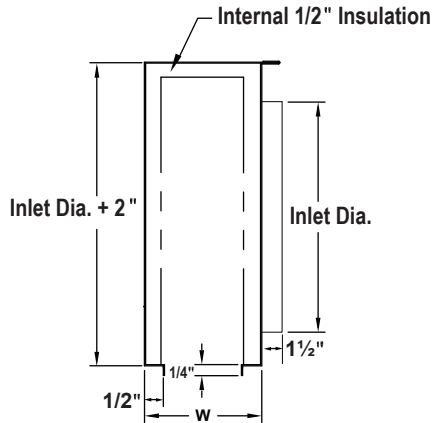
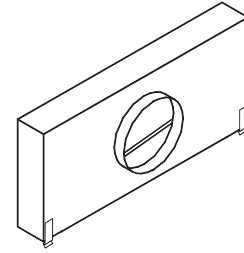
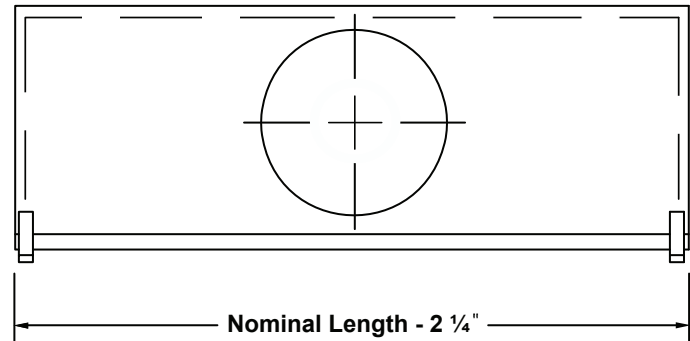


Air Bar Plenum Steel • Insulated

Model: AABP • Supply or Return



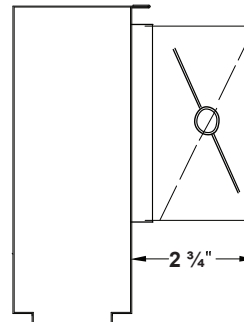
Side View



Front View

- AABP 10 • Insulated (fits 1" slot diffusers)
- AABP 15 • Insulated (fits 1 1/2" slot diffusers)
- AABP 20 • Insulated (fits 2" slot diffusers)
- AABP 25 • Insulated (fits 2 1/2" slot diffusers)
- AABP 30 • Insulated (fits 3" slot diffusers)
- Round inlet
- Solid sides (field cut)

Model AABP Inlet Damper (Optional)



Note: Inlet damper is shipped loose.

Features:

- Fits ADP Model AAB Air Bar diffusers and returns
- Material: 24 GA Galvanized steel
- Insulation: 1/2" Fiberglass
- Inlet Sizes: 8" to 12" diameters
- Field-cut inlets also available
- Lengths: Available from 12" to 72"

Width dimensions (W) in inches

AABP Plenum Model	W (Width)		H* (Height)	L (Length)
	1 Slot	2 Slot		
AABP10	2 7/8	5 1/4	D + 2"	Nominal-2 1/4"
AABP15	3 7/8	7 1/4	D + 2"	Nominal-2 1/4"
AABP20	4 7/8	9 1/4	D + 2"	Nominal-2 1/4"
AABP25	5 7/8	11 1/4	D + 2"	Nominal-2 1/4"
AABP30	6 7/8	13 1/4	D + 2"	Nominal-2 1/4"

* Note: All field-cut Plenums are 16" high