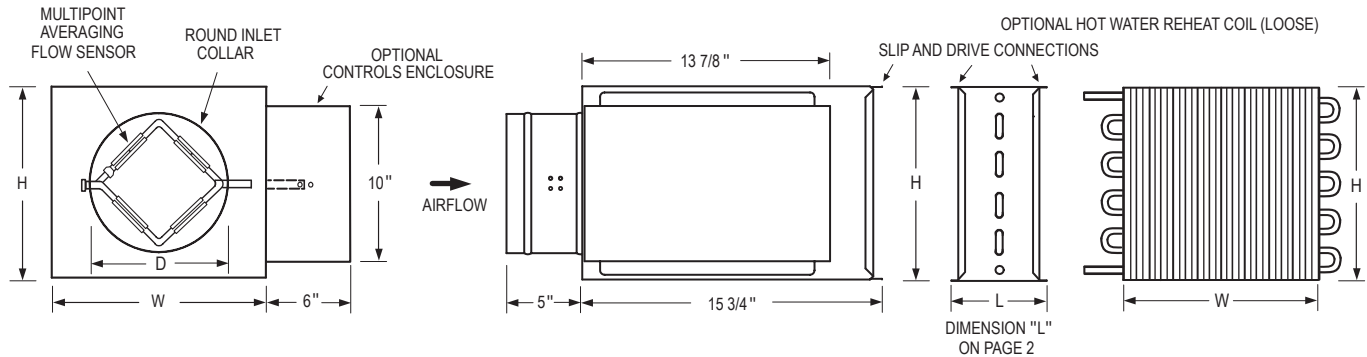


Single Duct Terminal Unit Digital, Analog or Pneumatic Control

Model: SDT



Dimensional Data:

Unit Size	Airflow Range cfm	W	H	Inlet Size D	Coil Connections				Weight
					1 Row	2 Row	3 Row	4 Row	
6	0 – 600	12	8	5 7/8 Round	1/2	7/8	1/2	1/2	12
8	0 – 1100	12	10	7 7/8 Round	1/2	7/8	1/2	1/2	15
10	0 – 1700	14	12 1/2	9 7/8 Round	7/8	7/8	1/2	1/2	18
12	0 – 2500	16	15	11 7/8 Round	7/8	7/8	7/8	7/8	22
14	0 – 3250	20	17 1/2	13 7/8 Round	7/8	7/8	7/8	7/8	24
16	0 – 4100	24	18	15 7/8 Round	7/8	7/8	7/8	7/8	29
2416	0 – 7200	38	20	23 7/8 x 15 7/8 Rect.	7/8	7/8	1 3/8	1 3/8	58



Dimensions are in inches, weights are in pounds

Features:

- Pressure independent, variable or constant volume
- 22 ga. zinc coated steel casing, mechanically sealed, low leakage construction. Leakage is less than 1% of the terminal rated airflow at 1" wg
- 2x20 ga. round laminated butterfly damper with a polyurethane peripheral gasket. 90° rotation, CW to close. Tight shut-off. Damper leakage is 1% of the terminal rated airflow at 3" wg and less than 2% at 6" wg as tested in accordance with ANSI/ASHRAE standard 130.
- Unit sizes 4 through 16 have round inlet collars. Size 2416 has a rectangular inlet collar.
- 1/2" dia. plated steel drive shaft. An indicator mark on the end of the shaft shows damper position.
- Multi-point averaging Diamond Flow Sensor. Aluminum construction.
- Rectangular discharge with slip and drive cleat duct connection.
- Full NEMA 1 type low voltage controls enclosure for factory mounted controls.
- 1/2" dual density insulation, exposed edges coated to prevent air erosion. Meets NFPA 90A and UL 181.
- Right-handed controls location is standard (shown) when looking in direction of airflow.

Controls:

- None
- Pneumatic
- Analog
- Digital
- By others
- By ADP

Options and Accessories:

- SteriFoil
- FiberFree liner
- Control enclosure
- 24VAC Control transformer
- Toggle disconnect switch

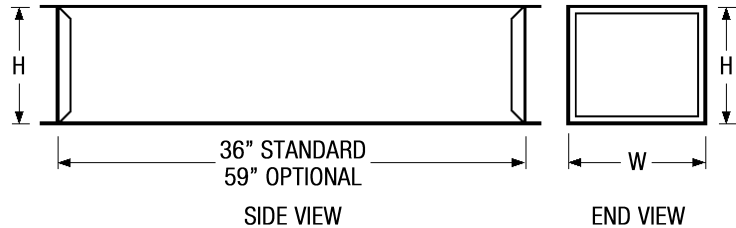
Accessories (Optional)

DA Discharge Attenuator (loose)

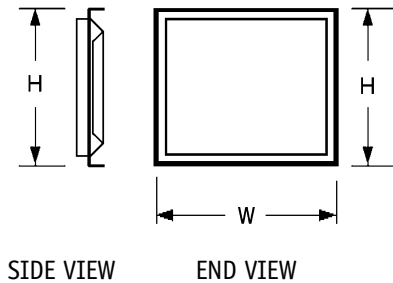
- Shipped knocked down for field attachment
- Slip and drive connection
- Standard 1" dual density insulation

Options:

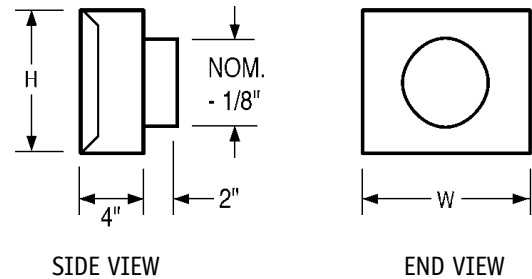
- FiberFree liner
- SteriFoil liner
- 59" Long



EC End Cap



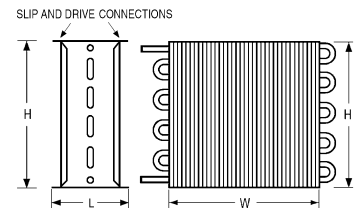
RO Round Outlet Adapter



Hot Water Coil (loose)

- 1/2 inch OD x 0.116 inch wall copper tubes
- Aluminum ripple fins, 10 per inch
- Leak tested to 300 PSIG
- 240 PSIG maximum working pressure
- 200° F maximum water temperature
- 20 GA galvanized steel casing with slip and drive duct connections
- Copper male solder pipe connections: 1/2" OD on 1 Row coils sizes 4 to 8 7/8" OD on all other rows and sizes

- 1R One Row**
- 2R Two Row**
- 3R Three Row**
- 4R Four Row**



Unit Size	W	H	Dimensions L		Wet Weight			
			1 & 2 Row	3 & 4 Row	1 Row	2 Row	3 Row	4 Row
4, 5, 6	12	8	5	7 1/4	5	6	8	10
7, 8	12	10	5	7 1/4	6	8	10	12
9, 10	14	12 1/2	5	7 1/4	8	10	12	14
12	16	15	5	7 1/4	9	13	17	20
14	20	17 1/2	7 1/2	9 3/4	14	19	24	29
16	24	18	7 1/2	9 3/4	16	22	28	36
24 16	38	18	5	7 1/4	18	28	38	48

Dimensions are in inches, weights are in pounds