



9668 Heinrich Hertz Drive, Unit D
 San Diego, CA 92154
 (800) 322-8676 • FAX (800) 604-3324

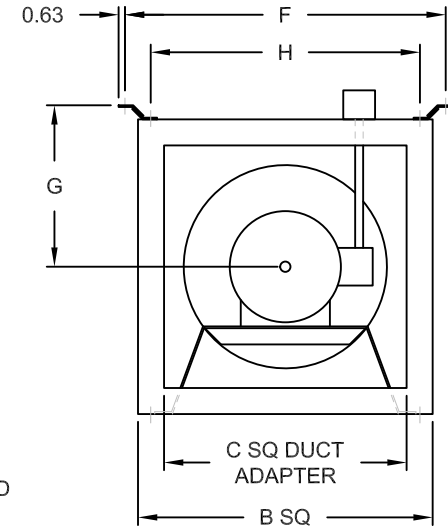
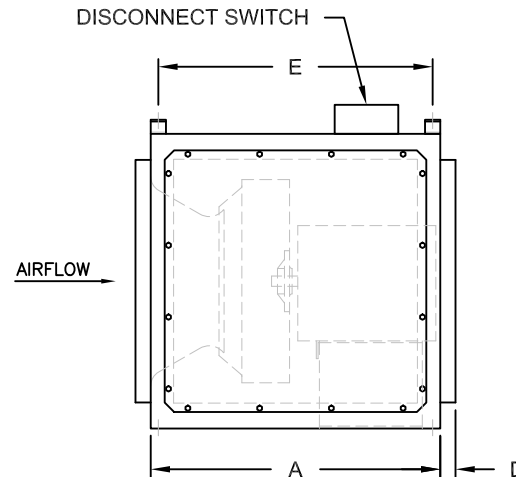
**DIRECT DRIVE CENTRIFUGAL
 INLINE FAN**

DSI SERIES

SIZE	A	B	C	D	E	F	G	H	DAMPER SIZE	AVG. SHIP WT. (LBS.)	SIDE DISCHARGE SIZE
080A	19.00	15.33	11.88	1.00	16.50	19.50	8.63	13.56	12.00 X 12.00	93	11.88 X 11.88
090A	19.00	15.33	11.88	1.00	16.50	19.50	8.63	13.56	12.00 X 12.00	96	11.88 X 11.88
100A	20.50	17.81	13.88	1.00	19.00	21.06	10.38	16.00	14.00 X 14.00	106	13.88 X 13.88
120A	21.50	19.38	15.88	1.00	20.00	22.06	11.13	17.00	16.00 X 16.00	127	15.88 X 15.88
135A/AN	23.00	21.56	17.88	1.00	21.50	24.25	12.19	19.16	18.00 X 18.00	132	17.88 X 17.88
150A/AN	24.00	23.82	19.88	1.00	22.50	26.38	13.29	21.31	20.00 X 20.00	157	19.88 X 19.88
165A/AN	26.00	26.50	22.88	1.00	24.50	29.06	14.64	24.00	23.00 X 23.00	167	22.88 X 22.88

FEATURES

- HOUSING IS HEAVY-GAUGE GALVANIZED STEEL CONSTRUCTION.
- BACKWARD INCLINED, NON-OVERLOADING, ALL ALUMINUM WHEEL AND HUB DYNAMICALLY AND STATICALLY BALANCED TO ASSURE LONG LIFE AND QUIET OPERATION.
- FIELD WIRING JUNCTION BOX STANDARD WITH UNIT.
- A DISCONNECT SWITCH IS MOUNTED AS STANDARD TO THE MOTOR SIDE PANEL OF THE UNIT FOR SERVICING WITHOUT DANGER OF ACCIDENTAL STARTING.
- CLASS B INSULATED MOTOR.
- MOTOR PREWIRED TO JUNCTION BOX AND DISCONNECT SWITCH.
- FRACTIONAL SINGLE PHASE MOTORS ARE RESILIENT BASE DESIGN TO REDUCE NOISE TRANSMISSION INTO DUCTWORK.
- THE MODEL DSI CAN BE MOUNTED IN ANY POSITION.
- EASILY SERVICED WITHOUT REMOVING DUCT CONNECTIONS BY REMOVING ANY ONE OF TWO ACCESS PANELS AS WELL AS COMPLETE REMOVAL OF THE POWER ASSEMBLY.
- SIDE PANELS CAN PROVIDE A 90 DEGREE SIDE DISCHARGE. REQUIRES OPTIONAL SIDE DISCHARGE ACCESSORY.



FAN SPECIFICATIONS					MOTOR SPECIFICATIONS					
QTY.	MODEL NO.	CFM	SP	FAN RPM	HP	RPM	VOLTS	PH	HZ	ENCL.

TAG: _____

CUSTOMER: _____
 /REP _____

PROJECT: _____

SUBMITTED: _____

APPROVED: _____

ACCESSORIES:

DISCONNECT SWITCH (STD.) _____

ADP RESERVES THE RIGHT TO SUBSTITUTE MATERIAL OR CHANGE PRODUCT SPECIFICATIONS.



DSI SERIES SHOWN HEREIN IS LICENSED TO BEAR THE AMCA SEAL. THE RATINGS SHOWN ARE BASED ON TESTS AND PROCEDURES PERFORMED IN ACCORDANCE WITH AMCA PUBLICATION 211 AND AMCA PUBLICATION 311 AND COMPLY WITH THE REQUIREMENTS OF THE AMCA CERTIFIED RATINGS PROGRAM.



ALL DSI MODELS ARE AVAILABLE U.L. 705 LISTED, FOR ELECTRICAL, FILE NO. E158680.

NOTE: cULus LISTING AVAILABILITY IS DEPENDENT ON MOTOR AND ACCESSORIES SELECTED.

JEC 02/06/08

ORDER NUMBER

REV.

D-4210E