

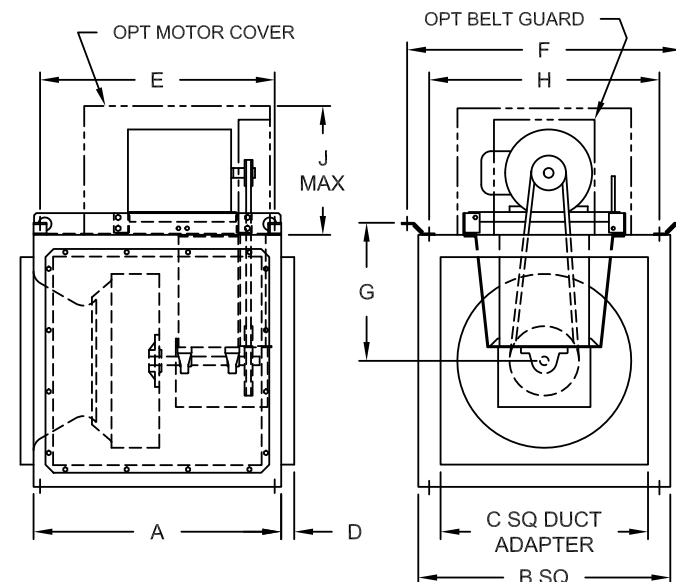


9668 Heinrich Hertz Drive, Unit D
San Diego, CA 92154
(800) 322-8676 • FAX (800) 604-3324

BELT DRIVE CENTRIFUGAL INLINE FAN

BSI SERIES

SIZE	A	B	C	D	E	F	G	H	J	DAMPER SIZE	AVG. SHIP WT. (LBS.)	SIDE DISCHARGE SIZE
080A	19.00	15.33	11.88	1.00	16.50	19.50	8.63	13.56	12.00	12.00 X 12.00	93	11.88 X 11.88
090A	19.00	15.33	11.88	1.00	16.50	19.50	8.63	13.56	12.00	12.00 X 12.00	96	11.88 X 11.88
100A	20.50	17.81	13.88	1.00	19.00	21.06	10.38	16.00	12.00	14.00 X 14.00	106	13.88 X 13.88
120A/AHP	21.50	19.38	15.88	1.00	20.00	22.06	11.13	17.00	12.00	16.00 X 16.00	127	15.88 X 15.88
135A/AHP	23.00	21.56	17.88	1.00	21.50	24.25	12.19	19.16	12.75	18.00 X 18.00	132	17.88 X 17.88
150A/AHP	24.00	23.82	19.88	1.00	22.50	26.38	13.29	21.31	12.75	20.00 X 20.00	157	19.88 X 19.88
165A/AHP	26.00	26.50	22.88	1.00	24.50	29.06	14.64	24.00	14.56	23.00 X 23.00	167	22.88 X 22.88
180A/AHP	28.50	29.00	23.88	1.50	27.00	31.56	15.89	26.50	16.25	24.00 X 24.00	193	23.88 X 23.88
210A/AHP	32.00	32.34	27.88	1.50	30.50	35.06	17.54	30.00	16.25	28.00 X 28.00	223	27.88 X 27.88
225A/AHP	34.00	34.00	29.88	1.50	32.50	36.89	18.45	31.81	18.50	30.00 X 30.00	287	25.88 X 28.88
245A/AHP	36.50	37.50	32.88	1.50	35.00	40.38	20.20	35.31	18.50	33.00 X 33.00	352	27.88 X 31.88
270A/AHP	39.00	40.13	35.88	1.50	37.50	43.00	21.45	37.88	18.50	36.00 X 36.00	394	29.88 X 33.88
300A/AHP	41.50	44.13	39.88	1.50	39.50	46.95	23.45	41.88	20.00	40.00 X 40.00	442	29.88 X 37.88
330A/AHP	45.50	48.81	43.88	1.50	43.50	51.63	25.78	46.56	20.00	44.00 X 44.00	554	31.88 X 39.88
365A/AHP	48.50	50.13	45.88	1.50	46.50	52.94	26.44	47.88	20.00	46.00 X 46.00	665	32.88 X 41.88
402A/AHP	52.00	55.25	51.88	1.50	50.00	58.19	29.09	53.13	20.00	52.00 X 52.00	743	34.88 X 46.88



FEATURES

- HOUSING IS HEAVY-GAUGE GALVANIZED STEEL CONSTRUCTION.
- BACKWARD INCLINED, NON-OVERLOADING, ALL ALUMINUM WHEEL AND HUB DYNAMICALLY AND STATICALLY BALANCED TO ASSURE LONG LIFE AND QUIET OPERATION.
- FIELD WIRING JUNCTION BOX STANDARD WITH UNIT.
- A DISCONNECT SWITCH IS MOUNTED AS STANDARD TO THE MOTOR SIDE PANEL OF THE UNIT FOR SERVICING WITHOUT DANGER OF ACCIDENTAL STARTING.
- MOTOR PREWIRED TO JUNCTION BOX AND DISCONNECT SWITCH.
- FRACTIONAL SINGLE PHASE MOTORS ARE RESILIENT BASE DESIGN TO REDUCE NOISE TRANSMISSION INTO DUCTWORK.
- CAST IRON ADJUSTABLE PULLEY TO PERMIT SPEED ADJUSTMENT.
- DRIVES SIZED FOR A MINIMUM OF 150% OF DRIVEN HORSEPOWER.
- BEARINGS ARE OF PILLOW BLOCK DESIGN WITH AN L50 LIFE IN EXCESS OF 500,000 HRS.
- CLASS B INSULATED MOTOR.
- GALVANIZED STEEL MOUNTING BRACKETS FOR EASY MOUNTING IN HORIZONTAL OR VERTICAL POSITION.
- THE MODEL BSI CAN BE MOUNTED IN ANY POSITION.
- EASILY SERVICED WITHOUT REMOVING DUCT CONNECTIONS BY REMOVING ANY ONE OF TWO ACCESS PANELS AS WELL AS COMPLETE REMOVAL OF THE POWER ASSEMBLY.
- SIDE PANELS CAN PROVIDE A 90 DEGREE SIDE DISCHARGE. REQUIRES OPTIONAL SIDE DISCHARGE ACCESSORY.

FAN SPECIFICATIONS

QTY.	MODEL NO.	CFM	SP	FAN RPM

MOTOR SPECIFICATIONS

HP	RPM	VOLTS	PH	HZ	ENCL.

TAG: _____

CUSTOMER: _____
/REP

PROJECT: _____

SUBMITTED: _____

APPROVED: _____

ACCESSORIES:

DISCONNECT SWITCH (STD.) _____

BELT GUARD (STD.) _____

ADP RESERVES THE RIGHT TO SUBSTITUTE MATERIAL OR CHANGE PRODUCT SPECIFICATIONS.



BSI SERIES SHOWN HEREIN IS LICENSED TO BEAR THE AMCA SEAL. THE RATINGS SHOWN ARE BASED ON TESTS AND PROCEDURES PERFORMED IN ACCORDANCE WITH AMCA PUBLICATION 211 AND AMCA PUBLICATION 311 AND COMPLY WITH THE REQUIREMENTS OF THE AMCA CERTIFIED RATINGS PROGRAM.



ALL BSI MODELS ARE AVAILABLE U.L. 705 LISTED, FOR ELECTRICAL, FILE NO. E158680.

NOTE: UL LISTING AVAILABILITY IS DEPENDENT ON MOTOR AND ACCESSORIES SELECTED.

JEC 02/06/08

ORDER NUMBER

REV.

D-4205G