



9668 Heinrich Hertz Drive, Unit D
 San Diego, CA 92154
 (800) 322-8676 • FAX (800) 604-3324

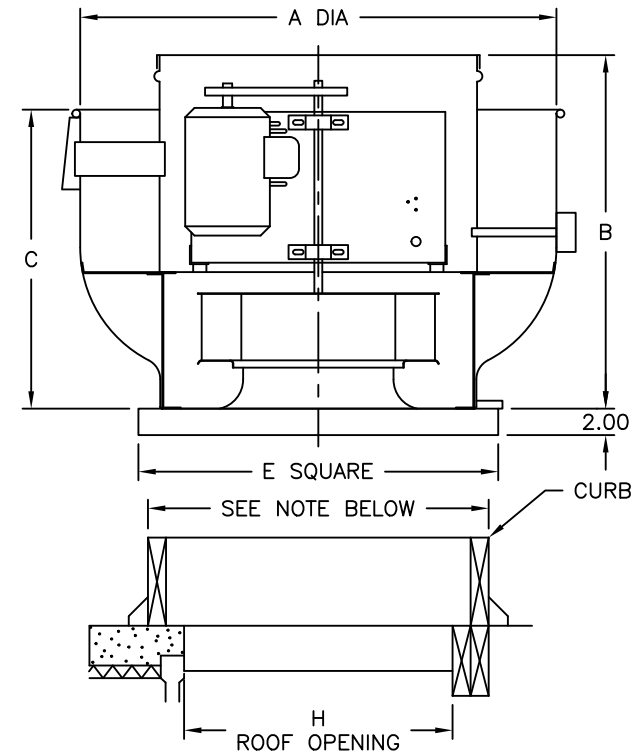
**BELT DRIVE CENTRIFUGAL
 UPBLAST ROOF EXHAUSTER
 COMMERCIAL KITCHEN VENTILATOR**

**BCRUR & BCRUR-HP
 SERIES**

| SIZE | A | B MAX. | C | E INSIDE | H ROOF OPENING | STANDARD CURB SIZE | MAX. STD. | HP. HP | AVG. SHIP WT. (LB.) |
|-------------|-------|-----------|-------|-------------|----------------------|--------------------------|--------------|-----------|------------------------|
| 110B/140BHP | 30.00 | 28.56 | 28.00 | 24.00 | 18.5 x 18.5 | 22.5 x 22.5 | 1/2 | - | 135 |
| 120B | | 27.19 | | | | | | | |
| 140B/160BHP | | 27.68 | | | | | | | |
| 160B | | 29.81 | | | | | | | |
| 160BMP | 36.00 | 28.44 | 30.00 | 30.00 | 24.5 x 24.5 | 28.5 x 28.5 | 1 | 1 | 180 |
| 180B | | 32.31 | | | | | | | |
| 180BMP | | 29.19 | | | | | | | |
| 180BHP | | 31.00 | | | | | | | |
| 210B | 45.00 | 35.61 | 28.25 | 34.00 | 28.5 x 28.5 | 32.5 x 32.5 | 2 | 3 | 245 |
| 210BHP | | 32.94 | | | | | | | |
| 240B | | 37.56 | | | | | | | |
| 240BHP | | 34.31 | | | | | | | |
| 300B | 54.00 | 38.25 | 31.00 | 40.00 | 34.5 x 34.5 | 38.5 x 38.5 | 5 | 5 | 365 |
| 300BHP | | 34.88 | | | | | | | |
| 360B | 63.00 | 43.88 | 34.00 | 46.00 | 40.5 x 40.5 | 44.5 x 44.5 | 5 | 7.5 | 375 |
| 360BHP | | 39.68 | | | | | | | |

FEATURES

- HEAVY-GAUGE, CORROSION RESISTANT, SPUN ALUMINUM HOUSING AND CURB CAP.
- MOTOR COMPARTMENT VENTED TO AID IN COOLING MOTOR.
- DISCONNECT SWITCH STANDARD.
- VIBRATION ISOLATORS SUPPORT AND ISOLATE THE MOTOR, SHAFT, BEARINGS AND WHEEL ASSEMBLY FROM THE UNIT, REDUCING NOISE TRANSMISSION INTO THE DUCTWORK.
- CLASS B INSULATED MOTOR.
- DESIGNED FOR MAXIMUM OPERATING TEMPERATURE OF 300° F.
- MOTOR PREWIRED TO THE DISCONNECT SWITCH.
- DRIVES SIZED FOR A MINIMUM OF 150% OF DRIVEN HORSEPOWER.
- DEEP INLET VENTURI DESIGN PROTECTS AGAINST SNOW AND RAIN ENTRY INTO THE BUILDING AND PROVIDES QUIET AND EFFICIENT OPERATION.
- NON-OVERLOADING ALUMINUM WHEEL DYNAMICALLY AND STATICALLY BALANCED.
- BEARINGS ARE OF PILLOW BLOCK DESIGN WITH AN L10 LIFE IN EXCESS OF 100,000 HRS.



NOTE: OUTSIDE DIMENSION OF CURB BASE SHOULD BE 1" TO 1.50" LESS THAN INSIDE CURB CAP DIMENSION "E", DEPENDING ON THICKNESS OF FLASHING MATERIAL USED. IF CURB HINGES ARE USED, SPECIFY 1.50" DIFFERENCE.



BCRUR & BCRUR-HP SERIES SHOWN HEREIN IS LICENSED TO BEAR THE AMCA SEAL. THE RATINGS SHOWN ARE BASED ON TESTS AND PROCEDURES PERFORMED IN ACCORDANCE WITH AMCA PUBLICATION 211 AND AMCA PUBLICATION 311 AND COMPLY WITH THE REQUIREMENTS OF THE AMCA CERTIFIED RATINGS PROGRAM.



MOST BCRUR MODELS WITH SINGLE SPEED ODP & TEFC MOTORS ARE AVAILABLE U.L. 705 LISTED, FOR ELECTRICAL, FILE NO. E158680. (SUBJECT NO. 762) INVESTIGATION FOR POWER VENTILATORS RESTAURANT EXHAUST APPLIANCES, FILE NO. MH25478.

NOTE: UL LISTING AVAILABILITY IS DEPENDENT ON MOTOR AND ACCESSORIES SELECTED.

| FAN SPECIFICATIONS | | | | | MOTOR SPECIFICATIONS | | | | | | |
|--------------------|-----------|-----|----|---------|-----------------------------|-----|-------|----|----|-------|--|
| QTY. | MODEL NO. | CFM | SP | FAN RPM | HP | RPM | VOLTS | PH | HZ | ENCL. | |
| | | | | | | | | | | | |
| TAG: _____ | | | | | ACCESSORIES: | | | | | | |
| CUSTOMER: _____ | | | | | 3R DISCONNECT SWITCH (STD.) | | | | | | |
| /REP _____ | | | | | _____ | | | | | | |
| PROJECT: _____ | | | | | _____ | | | | | | |
| SUBMITTED: _____ | | | | | _____ | | | | | | |
| APPROVED: _____ | | | | | _____ | | | | | | |

ADP RESERVES THE RIGHT TO SUBSTITUTE MATERIAL OR CHANGE PRODUCT SPECIFICATIONS.

| | | |
|----------------|--------------|------|
| JEC 2/21/08 | ORDER NUMBER | REV. |
| D-4402H | | |