



9668 Heinrich Hertz Drive, Unit D
 San Diego, CA 92154
 (800) 322-8676 • FAX (800) 604-3324

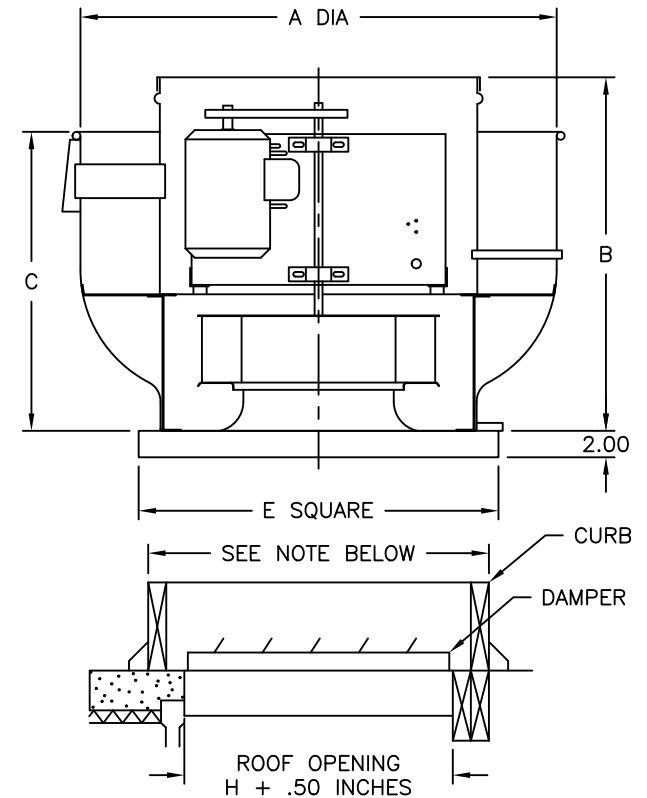
BELT DRIVE CENTRIFUGAL UPBLAST ROOF EXHAUSTER

BCRU & BCRU-HP SERIES

SIZE	A	B MAX.	C	E INSIDE	H DAMPER SIZE	STANDARD CURB SIZE	MAX. STD.	HP. HP	AVG. SHIP WT. (LB.)
110B/140BHP	30.00	28.56	28.00	24.00	18 x 18	22.5 x 22.5	1/2	-	135
120B		27.19							
140B/160BHP		27.68							
160B	36.00	29.81	30.00	30.00	24 x 24	28.5 x 28.5	1	1	145
160BMP		28.44							
180B		32.31							
180BMP	45.00	29.19	28.25	34.00	28 x 28	32.5 x 32.5	2	2	180
180BHP		31.00							
210B		35.61							
210BHP	54.00	32.94	31.00	40.00	34 x 34	38.5 x 38.5	2	3	245
240B		37.56							
240BHP		34.31							
300B	63.00	38.25	34.00	46.00	40 x 40	44.5 x 44.5	5	5	365
300BHP		34.88							
360B		43.88							
360BHP	69.00	39.68	36.00	52.00	46 x 46	50.5 x 50.5	5	7.5	375
420B		46.75							
480B		75.00					49.13	39.00	58.00

FEATURES

- HEAVY-GAUGE, CORROSION RESISTANT, SPUN ALUMINUM HOUSING AND CURB CAP.
- MOTOR COMPARTMENT VENTED TO AID IN COOLING MOTOR.
- HEAVY-GAUGE ZINC COATED WIRE BIRDSCREEN STANDARD.
- DISCONNECT SWITCH STANDARD.
- VIBRATION ISOLATORS SUPPORT AND ISOLATE THE MOTOR, SHAFT, BEARINGS AND WHEEL ASSEMBLY FROM THE UNIT, REDUCING NOISE TRANSMISSION INTO THE DUCTWORK.
- CLASS B INSULATED MOTOR.
- MOTOR PREWIRED TO THE DISCONNECT SWITCH.
- DRIVES SIZED FOR A MINIMUM OF 150% OF DRIVEN HORSEPOWER.
- DEEP INLET VENTURI DESIGN PROTECTS AGAINST SNOW AND RAIN ENTRY INTO THE BUILDING AND PROVIDES QUIET AND EFFICIENT OPERATION.
- NON-OVERLOADING ALUMINUM WHEEL DYNAMICALLY AND STATICALLY BALANCED.
- BEARINGS ARE OF PILLOW BLOCK DESIGN WITH AN L10 LIFE IN EXCESS OF 100,000 HRS.



NOTE: OUTSIDE DIMENSION OF CURB BASE SHOULD BE 1" TO 1.50" LESS THAN INSIDE CURB CAP DIMENSION "E", DEPENDING ON THICKNESS OF FLASHING MATERIAL USED. IF CURB HINGES ARE USED, SPECIFY 1.50" DIFFERENCE.

FAN SPECIFICATIONS

QTY.	MODEL NO.	CFM	SP	FAN RPM
TAG: _____				
CUSTOMER: _____ /REP				
PROJECT: _____				
SUBMITTED: _____				
APPROVED: _____				

MOTOR SPECIFICATIONS

HP	RPM	VOLTS	PH	HZ	ENCL.
ACCESSORIES:					
BIRDSCREEN (ZINC COATED STD.)					
DISCONNECT SWITCH (STD.)					



BCRU & BCRU-HP SERIES SHOWN HEREIN IS LICENSED TO BEAR THE AMCA SEAL. THE RATINGS SHOWN ARE BASED ON TESTS AND PROCEDURES PERFORMED IN ACCORDANCE WITH AMCA PUBLICATION 211 AND AMCA PUBLICATION 311 AND COMPLY WITH THE REQUIREMENTS OF THE AMCA CERTIFIED RATINGS PROGRAM.



ALL BCRU MODELS WITH SINGLE SPEED ODP & TEFC MOTORS ARE AVAILABLE U.L. 705 LISTED, FOR ELECTRICAL, FILE NO. E158680.

NOTE: UL LISTING AVAILABILITY IS DEPENDENT ON MOTOR AND ACCESSORIES SELECTED.

JEC 2/21/08	ORDER NUMBER	REV.
D-4401H		

ADP RESERVES THE RIGHT TO SUBSTITUTE MATERIAL OR CHANGE PRODUCT SPECIFICATIONS.