



9668 Heinrich Hertz Drive, Unit D
 San Diego, CA 92154
 (800) 322-8676 • FAX (800) 604-3324

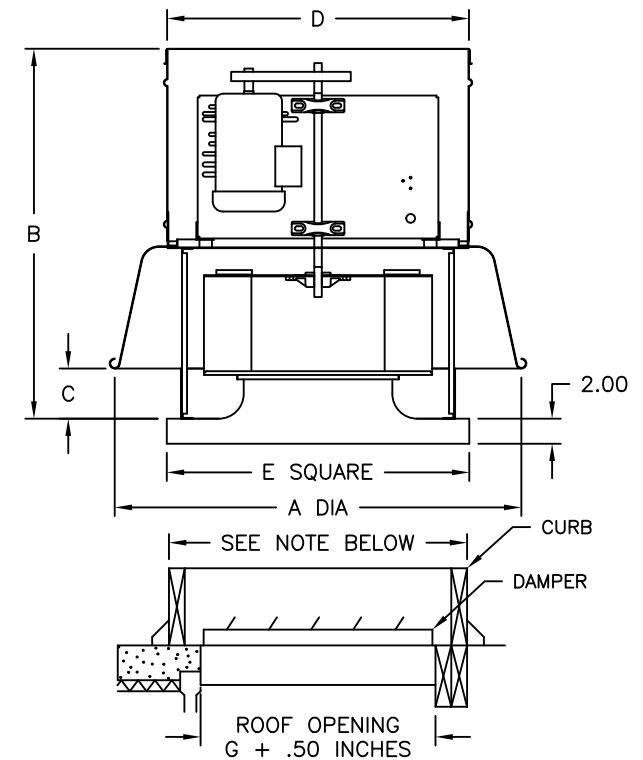
BELT DRIVE CENTRIFUGAL DOWN BLAST ROOF EXHAUSTER

BCRD & BCRD-HP SERIES

SIZE	A	B	C	D	E INSIDE	G DAMPER SIZE	STANDARD CURB SIZE	MAX HP		AVG. SHIP WT. (LB.)	
								STD	HP		
070D/075D	25.88	22.13	2.06	22.00	17.00	10 X 10	15.5 X 15.5	1/6	-	58	
085D	27.88	23.94	2.38		20.00	14 X 14	18.5 X 18.5	1/6	-	67	
100D/100DHP		23.94						1/3	1/3	74	
120D	30.44	28.13	2.56	24.00	24.00	18 X 18	22.5 X 22.5	1/2	-	78	
140D		28.25	2.81					1	-	93	
140DHP								-	3/4	88	
160D/160DHP	32.63	29.00	3.38	30.00	26.00	20 X 20	24.5 X 24.5	1	1	107	
180D/180DHP	38.38	33.88	3.75		30.00	24 X 24	28.5 X 28.5	2	2	130	
210D/210DHP		34.06	4.00					2	3	160	
240D/240DHP	43.13	35.88	4.88	42.00	34.00	28 X 28	32.5 X 32.5	2	3	220	
300D/300DHP	51.38	38.88	4.88		50.00	40.00	34 X 34	38.5 X 38.5	5	5	270
360D/360DHP	60.75	44.38	6.88			46.00	40 X 40	44.5 X 44.5	5	7.5	360
420D	65.81	47.81	7.00	58.00	52.00	46 X 46	50.5 X 50.5	7.5	-	420	
480D	74.06	50.25	7.75		58.00	50 X 50	56.5 X 56.5	7.5	-	475	

FEATURES

- HEAVY-GAUGE, CORROSION RESISTANT, SPUN ALUMINUM HOUSING AND CURB CAP.
- WATERTIGHT WIRING POST (EMT) PROVIDED FOR ELECTRICAL CONDUIT.
- .50" x .50" HEAVY-GAUGE GALVANIZED BIRDSCREEN STANDARD.
- DISCONNECT SWITCH STANDARD.
- CLASS B INSULATED MOTOR.
- VIBRATION ISOLATORS SUPPORT AND ISOLATE THE MOTOR, SHAFT, BEARINGS AND WHEEL ASSEMBLY FROM THE UNIT, REDUCING NOISE TRANSMISSION INTO THE DUCTWORK.
- MOTOR PREWIRED TO DISCONNECT SWITCH.
- UNIT MOUNTING HOLES IN CURB CAP PREPUNCHED.
- MOTOR COVER, SKIRT AND DEEP INLET VENTURI DESIGN PROTECT AGAINST SNOW AND RAIN ENTRY INTO BUILDING.
- NON-OVERLOADING ALUMINUM WHEEL DYNAMICALLY AND STATICALLY BALANCED.
- THERMALLY PROTECTED MOTOR STANDARD (SINGLE PHASE, ODP MOTORS).
- DRIVES SIZED FOR A MINIMUM OF 150% OF DRIVEN HORSEPOWER.
- BEARINGS ARE OF PILLOW BLOCK DESIGN WITH AN L10 LIFE IN EXCESS OF 100,000 HRS.



NOTE: OUTSIDE DIMENSION OF CURB BASE SHOULD BE 1" TO 1.50" LESS THAN INSIDE CURB CAP DIMENSION "E", DEPENDING ON THICKNESS OF FLASHING MATERIAL USED. IF CURB HINGES ARE USED, SPECIFY 1.50" DIFFERENCE.



BCRD & BCRD-HP SERIES SHOWN HEREIN IS LICENSED TO BEAR THE AMCA SEAL. THE RATINGS SHOWN ARE BASED ON TESTS AND PROCEDURES PERFORMED IN ACCORDANCE WITH AMCA PUBLICATION 211 AND AMCA PUBLICATION 311 AND COMPLY WITH THE REQUIREMENTS OF THE AMCA CERTIFIED RATINGS PROGRAM.



ALL BCRD MODELS ARE AVAILABLE U.L. 705 LISTED, FOR ELECTRICAL, FILE NO. E158680.

NOTE: UL LISTING AVAILABILITY IS DEPENDENT ON MOTOR AND ACCESSORIES SELECTED.

NOTE: CERTIFICATIONS ARE GOOD FOR ALL SIZES

FAN SPECIFICATIONS					MOTOR SPECIFICATIONS					
QTY.	MODEL NO.	CFM	SP	FAN RPM	HP	RPM	VOLTS	PH	HZ	ENCL.

TAG: _____

CUSTOMER: _____
 /REP _____

PROJECT: _____

SUBMITTED: _____

APPROVED: _____

ACCESSORIES:

BIRDSCREEN (GALV. STD.) _____

DISCONNECT SWITCH (STD.) _____

ADP RESERVES THE RIGHT TO SUBSTITUTE MATERIAL OR CHANGE PRODUCT SPECIFICATIONS.

PB 09/29/09

ORDER NUMBER

REV.

D-4105G