

Model BDSB is an ideal manual balancing damper for duct up to 36" x 12".

**STANDARD CONSTRUCTION**

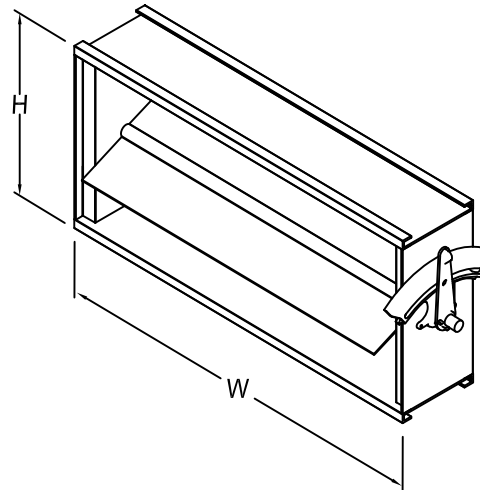
Frame: .081" Aluminum, 4-1/2" deep

Blade: .125" Aluminum

Bearing: Nylon 6/6

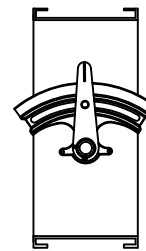
Hand Quadrant: 1/2" cast zinc

Maximum Velocity: 2000 FPM



**VARIATIONS:**

- 2" Stand-Off Quadrant
- All Stainless Steel including quadrant



Undersize approx. 1/4"

Job Name:	<input type="checkbox"/> <b>MODEL BDSB</b>		
Location:			
Architect:	DRAWN BY:	DATE:	REV. DATE:
Engineer:	CLJ	4-1-94	01-06-09
Contractor:	REV. NO.	APPROVED BY:	DWG. NO.:
	10	BGT	A-8