



Air Damper Products

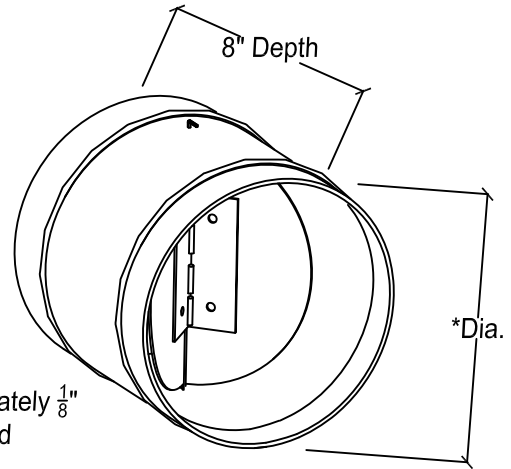
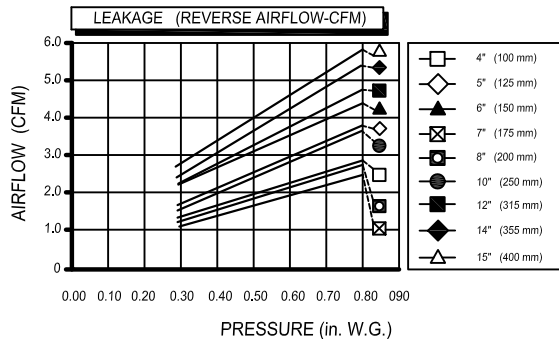
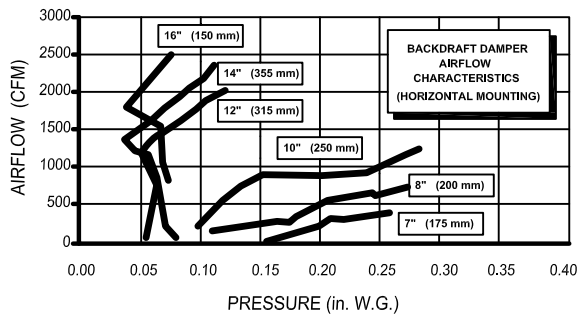
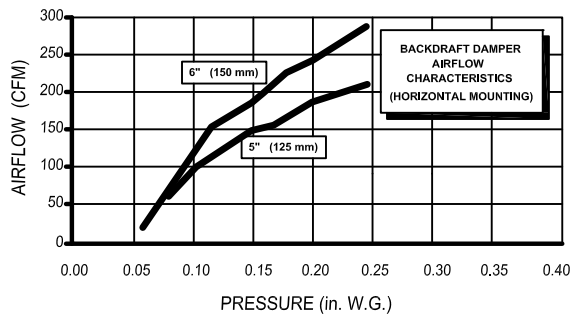
SUBMITTAL DATA

MODEL 688F

BACKDRAFT DAMPERS

BUTTERFLY BACKDRAFT DAMPER

The Model BDDR was designed for small round dampers up to 16"Ø for pressure through .30" w.c.



* Approximately 1/8" undersized

MODEL BDDR

Dimensions		Maximum Velocity (FPM)
Diameter	Length	
4-10"	8"	2200
12-18"	8"	1900

STANDARD FEATURES:

EDPM Rubber Gasket in Closed Position for Minimum Leakage

Aluminum Spring Loaded Butterfly Damper (.025" alum. blades)

24 Gauge Galvanized Steel Housing

Requires .04 to .08 inches w.c. to begin to open.

May be Installed in Any Position

SIZES AVAILABLE:

4", 5", 6", 7", 8", 9", 10", 12", 14", 16", & 18"

Job Name:	<input type="checkbox"/> MODEL BDDR		
Location:			
Architect:			
Engineer:	DRAWN BY: CLJ	DATE: 5-28-96	REV. DATE: 11-3-09
Contractor:	REV. NO. 14	APPROVED BY: BGT	DWG. NO.: G-8