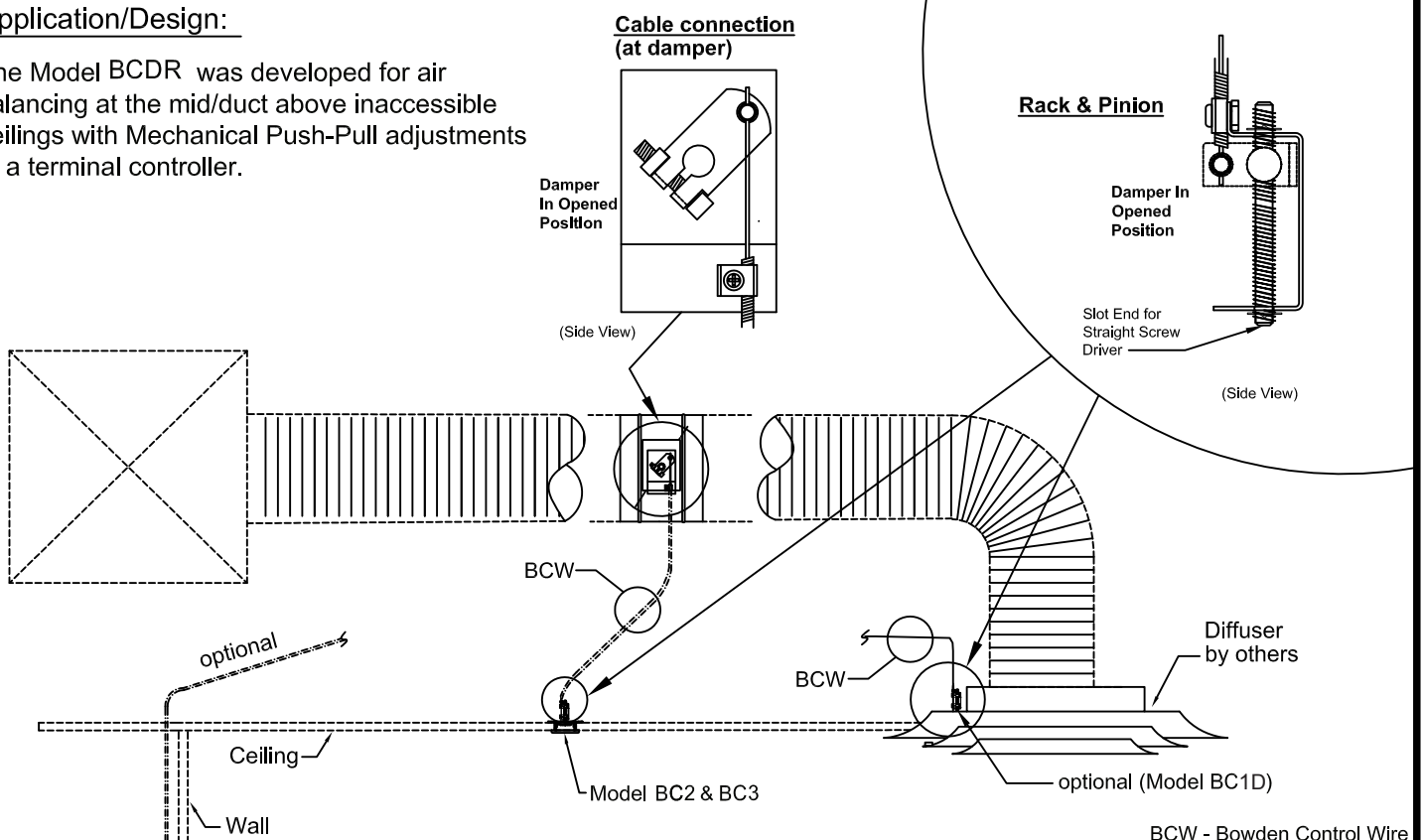


MODEL 6 CDF

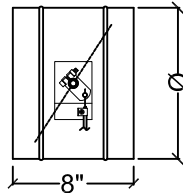
BOWDEN CABLE SYSTEM
(Round Single Blade Damper)

Application/Design:

The Model BCDFR was developed for air balancing at the mid/duct above inaccessible ceilings with Mechanical Push-Pull adjustments at a terminal controller.

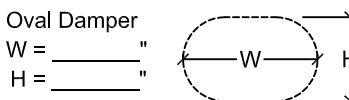


Model BCDFR (Single Blade Damper)



- Features:**
- Frame:** 24 ga galvanized steel (4" -10"Ø)
 - Frame:** 20 ga galvanized steel (12" -30" Ø)
 - Blade:** 24 ga galvanized steel (4" -10"Ø)
 - Blade:** 20 ga galvanized steel (12"-30"Ø)
 - Bearings:** Nylon 6/6 molded synthetic
 - Axles:** Zinc Plated Steel pins

- Options:**
- Aluminum Construction
 - Stainless Steel Construction
 - 304 stainless
 - 316 stainless
 - Oval Damper



RECOMMENDED SPECIFICATIONS

- A. Remote control system shall provide means of balancing airflow in ductwork above inaccessible ceilings
- B. In these areas, the contractor shall furnish and install Model BCDFR in the branch duct.
- C. The contractor shall furnish and install remote options of Model BC1, BC2 & BC3 Controllers. Model BC3 has zinc plated steel faceplate. Cable is capable of lengths of up to 20 feet.
- D. The contractor shall connect Bowden control wire from the damper to the terminal point.
- F. The Bowden Cable System shall be manufactured by ADP.

Due to continuing research, ADP reserves the right to change specifications without notice.

Job Name:	DRAWN BY:	DATE:	REV. DATE:
Location:	CLJ	8-4-09	10-28-09
Architect:	REV. NO.	APPROVED BY:	DWG. NO.:
Engineer:	5	BGT	D-6
Contractor:			

Air Damper Products

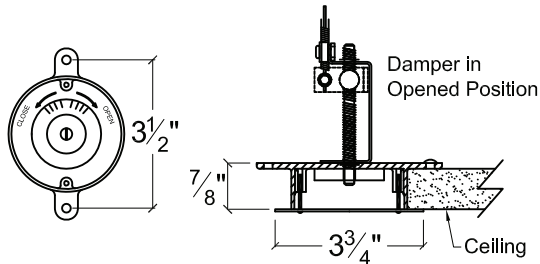
BOWDEN CABLE SYSTEM CONTROLLERS

The ADP Bowden Cable System was developed to provide personal convenience and a positive means of individual room or zone temperature control.

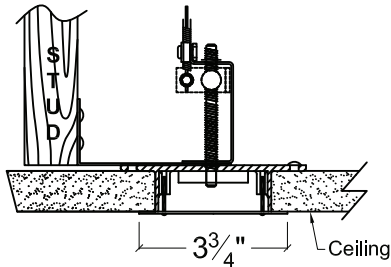
Due to continuing research, ADP reserves the right to change specifications without notice.

Model BC3
(with rack & pinion)

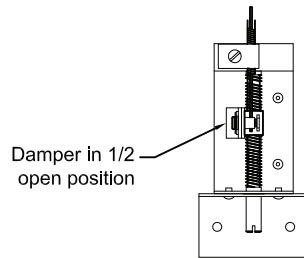
- Concealed in ceiling
Polished Zinc Cover Plate (std.)



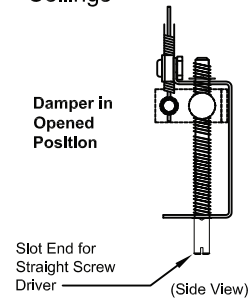
- Concealed in ceiling with mtg. bracket
Polished Zinc Cover Plate (std.)



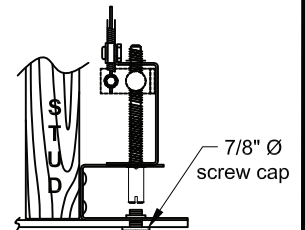
Model BC1
(with rack & pinion)
Ceiling joists, Above lay in Ceilings, Internal Plenum Mount, Etc.



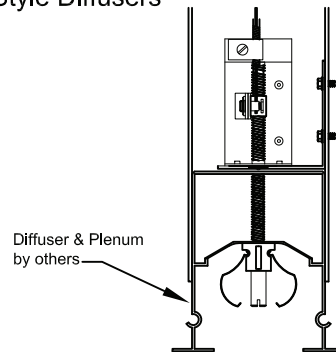
Model BC1D
(with rack & pinion)
Diffuser mount in Ceilings



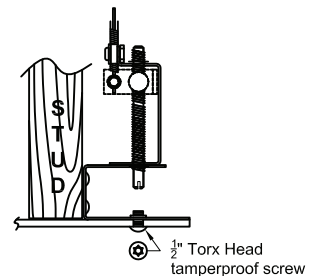
Model BC2
(with rack & pinion)
Concealed in ceiling



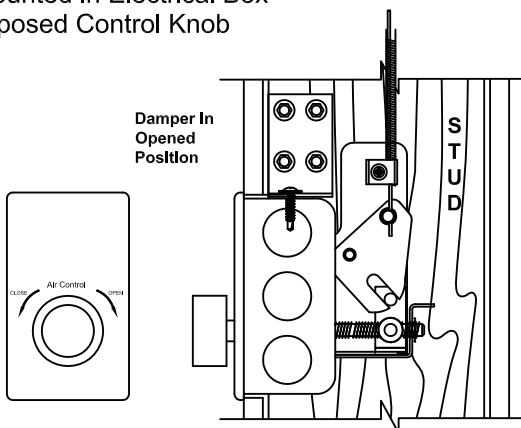
Model BC-PL
(with rack & pinion)
For Plenums of "Ice Tong" Style Diffusers



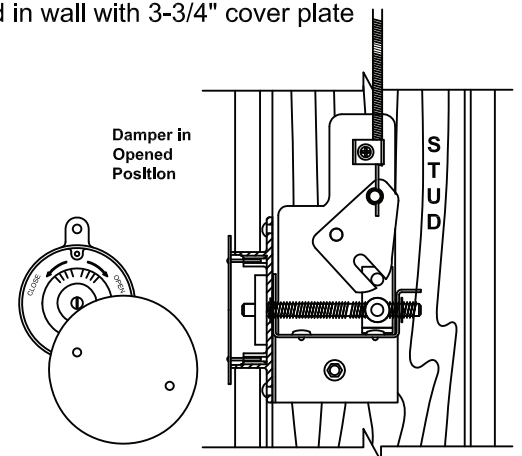
Model BC2P
(with rack & pinion)
Tamper proof prison model can be used with steel ceilings



Model BC4
Wall mounted in Electrical Box
with Exposed Control Knob



Model BC5
Concealed in wall with 3-3/4" cover plate



Job Name:	DRAWN BY: CLJ	DATE: 8-5-09	REV. DATE: 2-12-10
Location:			
Architect:			
Engineer:	REV. NO. 5	APPROVED BY: BGT	DWG. NO.: D-10
Contractor:			