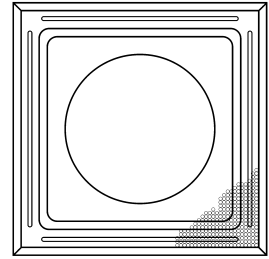
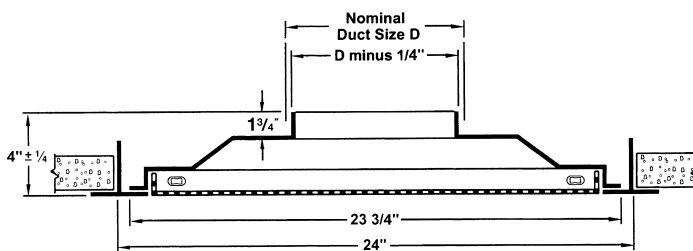


Perforated Return / Exhaust Steel • Ducted

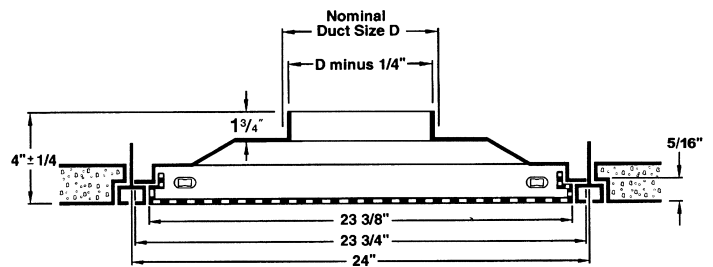
Model: APR • Return / Exhaust



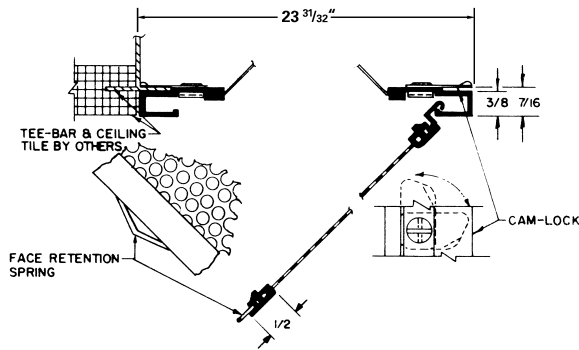
Type 3F (Flush, Lay-In)



Type 3N (Narrow-Tee / Donn Finline)

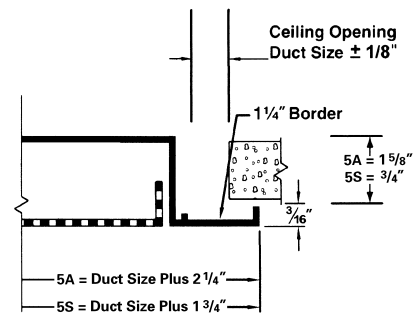


Type 4 (Concealed Spline)



Type 5A (Surface Mount, Flat Aluminum Frame)

Type 5S (Surface Mount, Flat Steel Frame)



Vertical dimensions are plus or minus 1/4" and horizontal dimensions are plus or minus 1/16"

Features:

- Matching perforated return for APC/APM diffusers
- Inlet collar is approximately 1 3/4" deep for easy duct connection
- Perforated face has 3/16" diameter holes on 1/4" staggered centers
- White powder coated epoxy finish

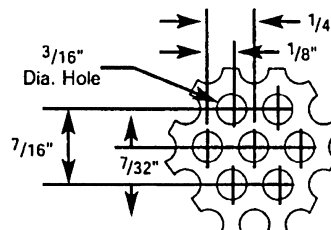
Type 4:

- Rotating cam-lock fastening
- Can be installed after ceiling is hung

Type 5:

- Square neck only
- Ceiling opening same as duct size

Perf Detail



Available Duct Sizes (D)

Types 3F & 3N:

- Round: 6" to 16"
Square: 6" x 6" to 18" x 18"
22" x 10" and 22" x 22"
(Ranges in 2" increments)

Note: Large duct sizes use low profile back pan (not shown)

Type 4:

- Square: 6" x 6" to 18" x 18"
(In 2" increments)

Type 5:

- Square: 6" x 6" to 24" x 24"
(In 2" increments)