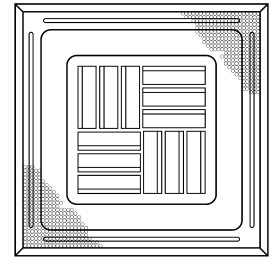
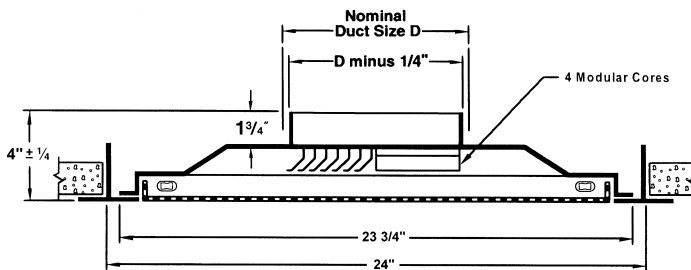


## Perforated Ceiling Diffusers Steel • Modular Core

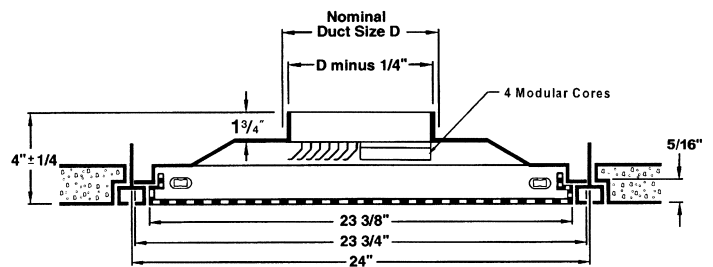
Model: APM • Supply • Convertible Discharge Pattern



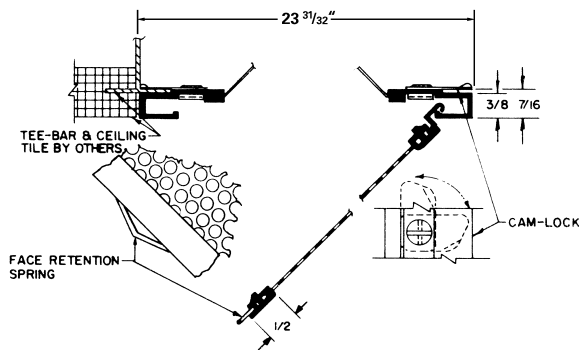
Type 3F (Flush, Lay-In)



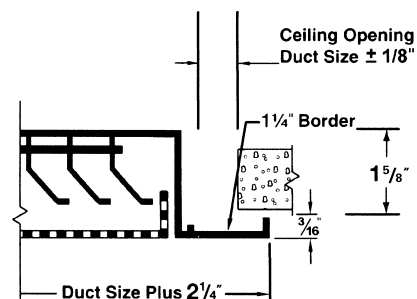
Type 3N (Narrow-Tee / Donn Finline)



Type 4 (Concealed Spline)



Type 5 (Surface Mount, Flat Frame)



Vertical dimensions are plus or minus 1/4" and horizontal dimensions are plus or minus 1/16"

### Features:

- Premium "Modular Perf" diffuser
- Inlet collar is approximately 1 3/4" deep for easy duct connection
- Field adjustable 1, 2, 3, or 4-way discharge pattern
- Perforated face has 3/16" diameter holes on 1/4" staggered centers
- White powder coated epoxy finish

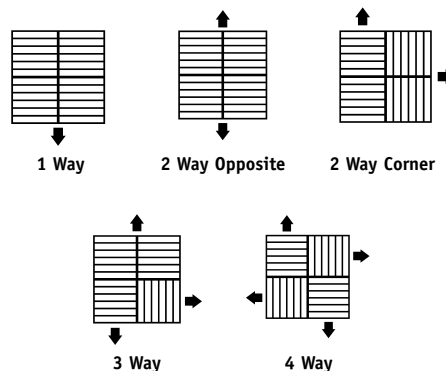
### Type 4:

- Rotating cam-lock fastening
- Can be installed after ceiling is hung

### Type 5:

- Extruded aluminum flat frame
- Ceiling opening same as duct size

### Modular Core Adjustments



Model APM is shipped with modular cores set for a 4-way throw.

### Available Duct Sizes (D)

#### Types 3F & 3N:

Round: 6" to 16"  
Square: 6" x 6" to 18" x 18"  
(In 2" increments)

Note: Large duct sizes use low profile back pan (not shown)

#### Type 4:

Square: 6" x 6" to 18" x 18"  
(In 2" increments)

#### Type 5:

Square: 6" x 6" to 24" x 24"  
(In 2" increments)