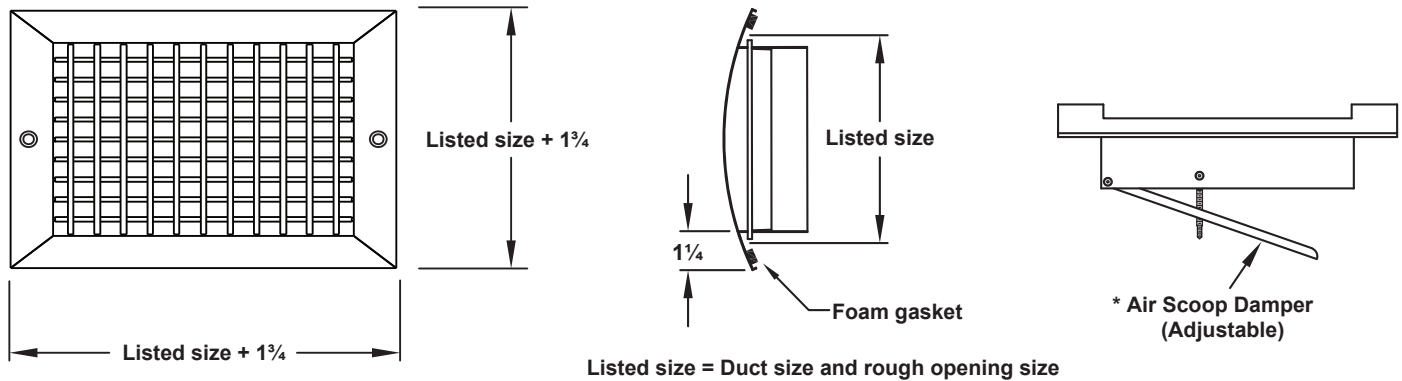
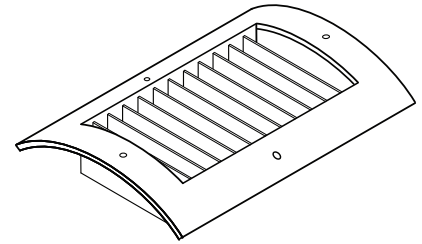


Spiral Duct Register

Double Deflection Supply • Steel Adjustable Blades with ASD*

Model: SDDV • 3/4" Blade Spacing



Mounting hole location by size:

	8	10	12	14	16	18	20	22	24	26	28	30	32	34	36	38
3																
4																
6																
8																
10	x															
12	x	x														

Features:

- Curved face - one piece formed design
- Vertical front and horizontal rear blades individually adjustable for desired airflow direction
- Powder coated metallic finish on galvanized steel
- Easily repainted in the field to any color desired - paint will adhere
- Air Scoop Damper fully adjustable, constructed of steel and painted black

Available Sizes

Height	3	4	6	8	10	12
Duct Diameter Min / Max	6 / 36	8 / 36	10 / 36	12 / 36	14 / 36	16 / 36
Width Min / Max	10 / 48		14 / 48		18 / 48	

Widths are available in 2" increments from 10" to 48"